

## Quick plug couplings

with radial offset compensation and screw-on flange



**Material, surface finish:**

Coupling part and flange in steel, heat-treated and phosphated.  
Nut (DIN 439) in steel, black oxide finish; quality class 8.8

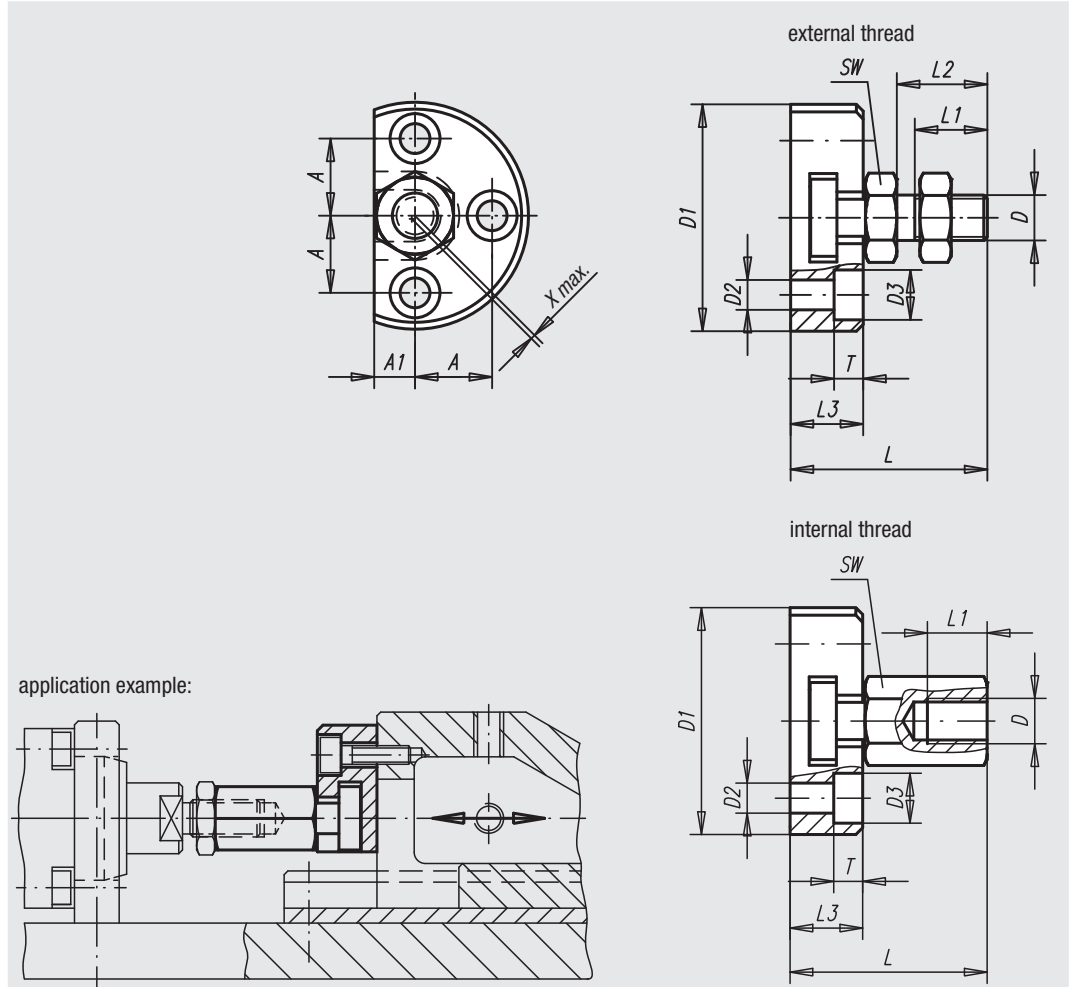
**Sample order:**

n1m 23452-20351

**Note:**

Quick plug couplings with radial offset compensation requiring only little space. Suitable for multiple applications, e.g. as a link between a piston rod and a linear-movement unit. Assembly and disassembly of this simple, solid and two-part coupling is carried out by means of a T-slot; a manual re-adjustment is not necessary. The quick plug coupling can be linked to all commonly used pneumatic and hydraulic lifting cylinders via the connecting thread.

**The quick plug coupling does not transmit any torque.**



Order No.	Surface finish	D	D1	D2	D3	A	A1	~L	L1 min.	L2	L3	T	SW	Max. radial shift compensation	Max. permissible tensile and compressive stress in kN	Approx. weight kg
23452-06	Internal thread	M6	42	5,5	10	14	7	30,5	11	-	11	5,4	10	0,6	2,5	0,076
23452-08	Internal thread	M8	48	6,6	11	16	8	35,5	13,5	-	13	6,4	13	0,7	4,5	0,122
23452-10	Internal thread	M10	50	6,6	11	17	9	43,2	15	-	16	6,4	17	0,7	6,5	0,184
23452-101	Internal thread	M10x1,25	50	6,6	11	17	9	43,2	15	-	16	6,4	17	0,7	6,5	0,184
23452-12	Internal thread	M12	55	6,6	11	19	10	53,2	17,5	-	20,5	6,4	19	0,8	10	0,276
23452-121	Internal thread	M12x1,25	55	6,6	11	19	10	53,2	17,5	-	20,5	6,4	19	0,8	10	0,276
23452-16	Internal thread	M16	65	9	15	22,5	12,5	64	22	-	23	8,5	24	1	18	0,449
23452-161	Internal thread	M16x1,5	65	9	15	22,5	12,5	64	22	-	23	8,5	24	1	18	0,449
23452-20	Internal thread	M20	80	11	18	28	17	74	25	-	26	10	30	1	30	0,845
23452-201	Internal thread	M20x1,5	80	11	18	28	17	74	25	-	26	10	30	1	30	0,840
23452-0614	External thread	M6	42	5,5	10	14	7	30,5	11	14	11	5,4	10	0,6	2,5	0,073
23452-0817	External thread	M8	48	6,6	11	16	8	35,5	13,5	17	13	6,4	13	0,7	4,5	0,116
23452-1020	External thread	M10	50	6,6	11	17	9	43,2	16	20	16	6,4	17	0,7	6,5	0,173
23452-10201	External thread	M10x1,25	50	6,6	11	17	9	43,2	16	20	16	6,4	17	0,7	6,5	0,174
23452-1225	External thread	M12	55	6,6	11	19	10	53,2	21	25	20,5	6,4	19	0,8	10	0,261
23452-12251	External thread	M12x1,25	55	6,6	11	19	10	53,2	21	25	20,5	6,4	19	0,8	10	0,262
23452-1630	External thread	M16	65	9	15	22,5	12,5	64	25	30	23	8,5	24	1	18	0,431
23452-16301	External thread	M16x1,5	65	9	15	22,5	12,5	64	25	30	23	8,5	24	1	18	0,433
23452-2035	External thread	M20	80	11	18	28	17	74	29	35	26	10	30	1	30	0,815
23452-20351	External thread	M20x1,5	80	11	18	28	17	74	29	35	26	10	30	1	30	0,815