

# Quick plug couplings

with angular and radial offset compensation



### Material, surface finish:

Coupling part in tempered steel, nitrided, black.  
Claw and seat in steel, heat-treated and phosphated.  
Nut in tempered steel, phosphated.  
Locking nut (EN 24035) in steel, quality class 8.8, black.  
Spring in stainless steel

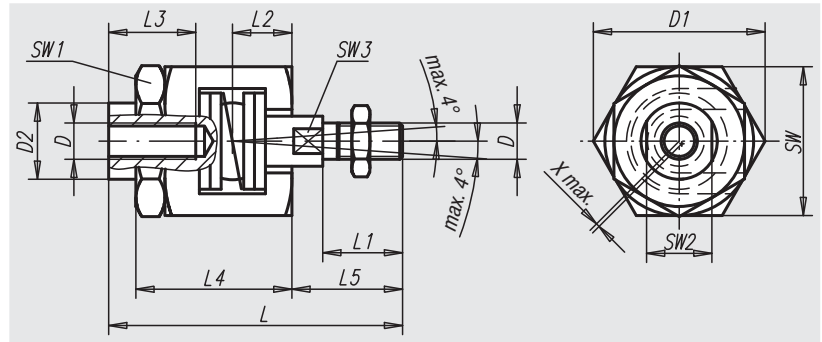
### Sample order:

nIm 23454-12

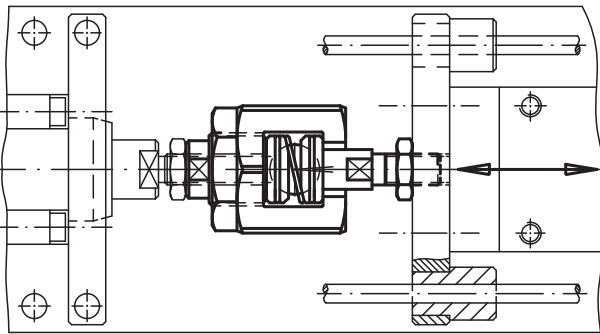
### Note:

Quick plug coupling, adjustable without axial play, including angular and radial offset compensation. Suitable for multiple applications, e.g. for non-aligned linear-movements. Solid and compact design, no loose elements. Assembly and disassembly is carried out by means of a T-slot; a manual re-adjustment is not necessary. The quick plug coupling can be linked to all commonly used pneumatic and hydraulic lifting cylinders via the connecting thread.

**The quick plug coupling does not transmit any torque.**



application example:



Order No.	D	D1	D2	~L	L1	L2	L3 min.	L4	L5	SW	SW1	SW2	SW3	Max. radial shift compensation	Max. permissible tensile and compressive stress in kN	Approx. weight kg
23454-06	M6	24,5	9,6	52	14	9,5	13	29	18,5	22	19	8	5	0,6	2,5	0,075
23454-08	M8	30	15	63	18	11,5	16	33	23,5	27	24	13	7	0,6	4,5	0,135
23454-10	M10	44	21	81	22	16	24	43	30,5	41	36	18	12	0,7	6,5	0,403
23454-101	M10x1,25	44	21	81	22	16	24	43	30,5	41	36	18	12	0,7	6,5	0,403
23454-12	M12	44	21	85	26	16	24	43	34,5	41	36	18	12	0,7	10	0,405
23454-121	M12x1,25	44	21	85	26	16	24	43	34,5	41	36	18	12	0,7	10	0,409
23454-16	M16	60	32	121	34	26	34	62	45	55	46	27	18	1	18	1,090
23454-161	M16x1,5	60	32	121	34	26	34	62	45	55	46	27	18	1	18	1,094
23454-20	M20	60	32	129	42	26	34	62	53	55	46	27	18	1	30	1,136
23454-201	M20x1,5	60	32	129	42	26	34	62	53	55	46	27	18	1	30	1,143