

# ACME threaded nuts with flange

right-hand thread, single-flight



**Material:**

Red brass Rg7

**Surface finish:**

Natural finish

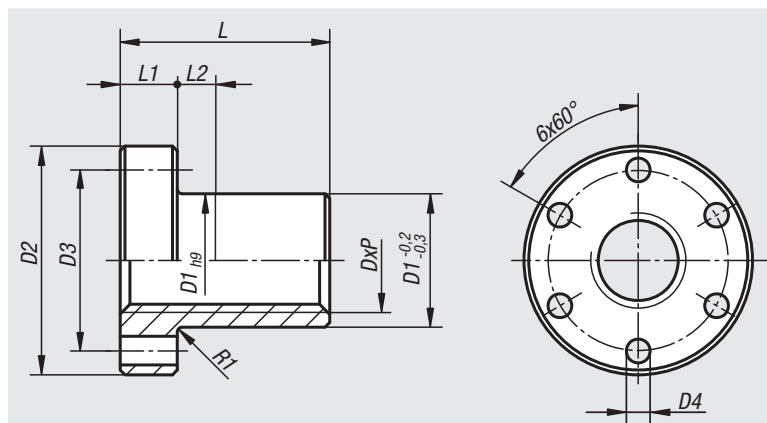
**Sample order:**

nIm 24005-160411

**Note:**

For motion drives with low and medium speed. In case of lack of lubricant, the ACME threaded nuts made of red brass have good emergency running characteristics on steel spindles.

Tolerance class 7H



Order No.	DxP	D1	D2	D3	D4	L	L1	L2	Approx. weight kg
24005-100313	Tr 10x3	25	42	34	5	15	10	5	0,100
24005-120313	Tr 12x3	28	48	38	6	18	12	6	0,110
24005-160413	Tr 16x4	28	48	38	6	24	12	12	0,130
24005-200413	Tr 20x4	32	55	45	7	30	12	8	0,200
24005-240513	Tr 24x5	32	55	45	7	36	12	8	0,420
24005-260513	Tr 26x5	38	62	50	7	39	14	8	0,800
24005-300613	Tr 30x6	38	62	50	7	45	14	8	0,950