

Loose bearing units

in block version



Material:

Housing, steel

Surface finish:

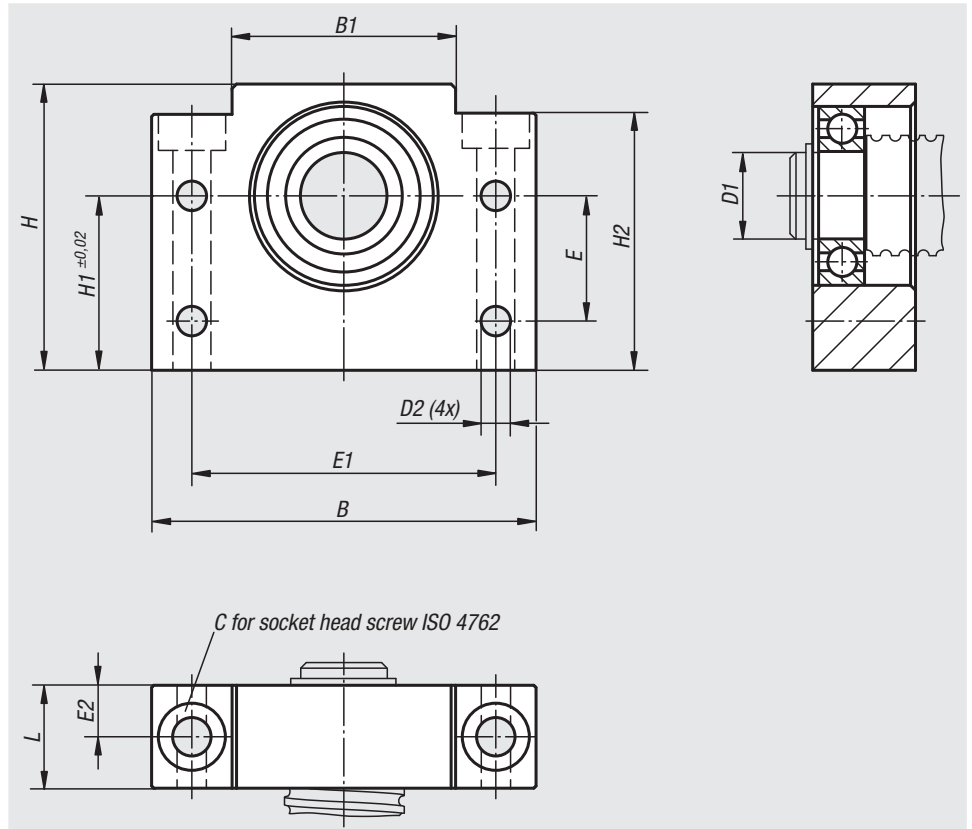
Housing, black oxide finish

Sample order:

nIm 24078-010

Note:

The shaft height of the spindle bearings is aligned with the solid bearing unit 24076. The loose bearing units consist of a housing with grooved ball bearing which adapts axially to the length dimensions of the spindle.



Order No.	Size	B	B1	C	D1	D2	E	E1	E2	H	H1	H2	L	Approx. weight kg
24078-010	10	60	34	M6	8	5,5	15	46	10	39	22	32,5	20	0,250
24078-012	12	60	34	M6	10	5,5	18	46	10	43	25	35	20	0,270
24078-015	15	70	40	M6	15	5,5	18	54	10	48	28	38	20	0,350
24078-017	17	86	50	M8	17	6,6	28	68	11,5	64	39	55	23	0,680
24078-020	20	88	52	M8	20	6,6	22	70	13	60	34	50	26	0,700