

# Solid bearing units

in flange version

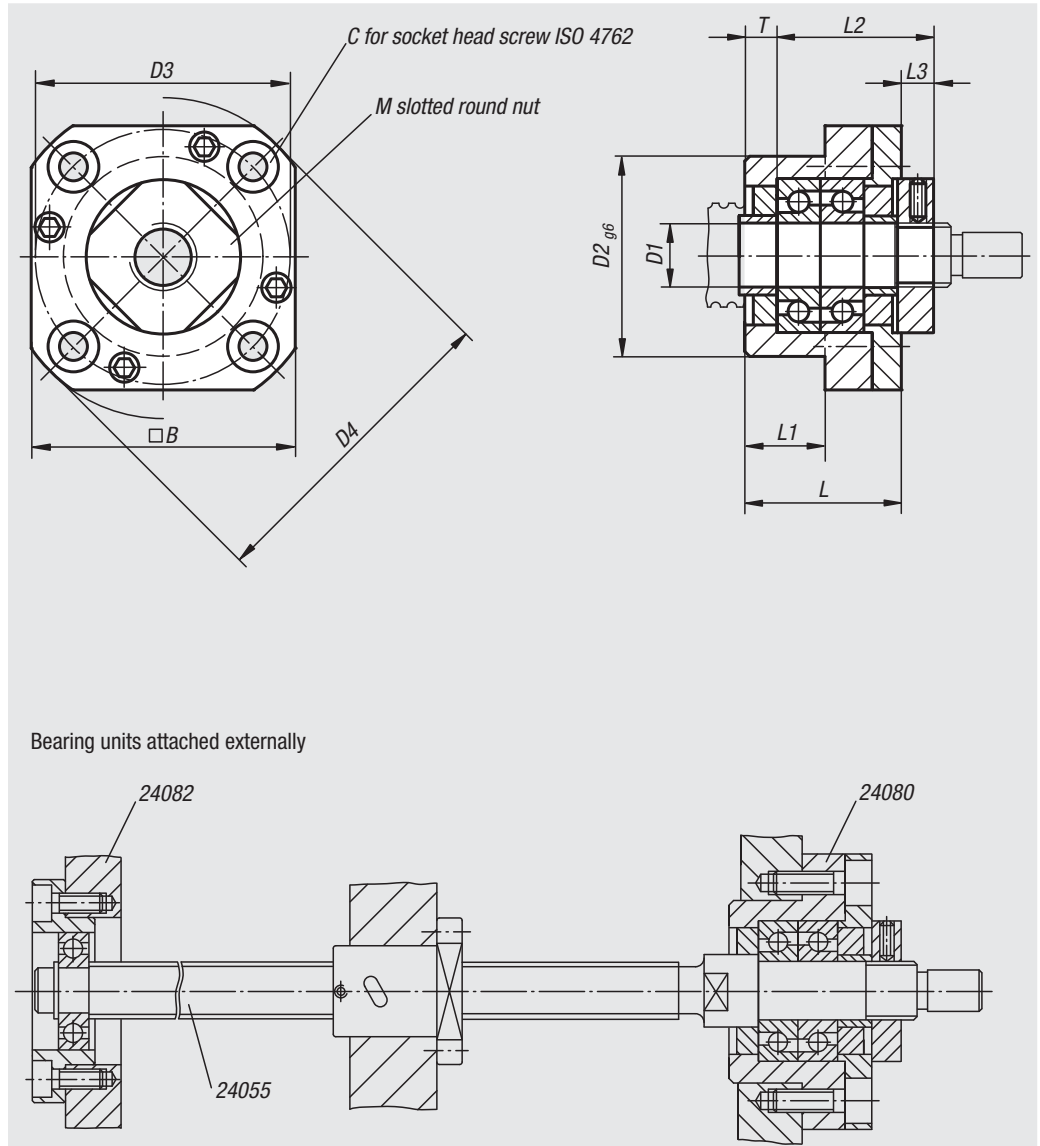


**Material:**  
Housing, steel

**Surface finish:**  
Housing, black oxide finish

**Sample order:**  
nlm 24080-010

**Note:**  
The solid bearing unit is aligned with the loose bearing unit 24082. The solid bearing units are composed of a housing with 2 angular contact thrust ball bearings and seals. Pre-stressed with a prefixed flange. With circlips and a lock nut.



Order No.	Size	B	C	D1	D2	D3	D4	L	L1	L2	L3	M	T
24080-010	10	42	M4	10	34	42	52	27	17	29,5	7,5	M10x1	5
24080-012	12	44	M4	12	36	44	54	27	17	29,5	7,5	M12x1	5
24080-015	15	52	M5	15	40	50	63	32	17	36	8	M15x1	6
24080-020	20	68	M6	20	57	70	85	52	30	50	10	M20x1	10

Order No.	Dynamic base loads N	Static base loads N	Stiffness K (N/μm)	Approx. weight kg
24080-010	6080	450	65	0,210
24080-012	6660	550	88	0,230
24080-015	7600	630	100	0,360
24080-020	17900	1890	140	1,000