

Loose bearing units

in flange version



Material:

Housing, steel

Surface finish:

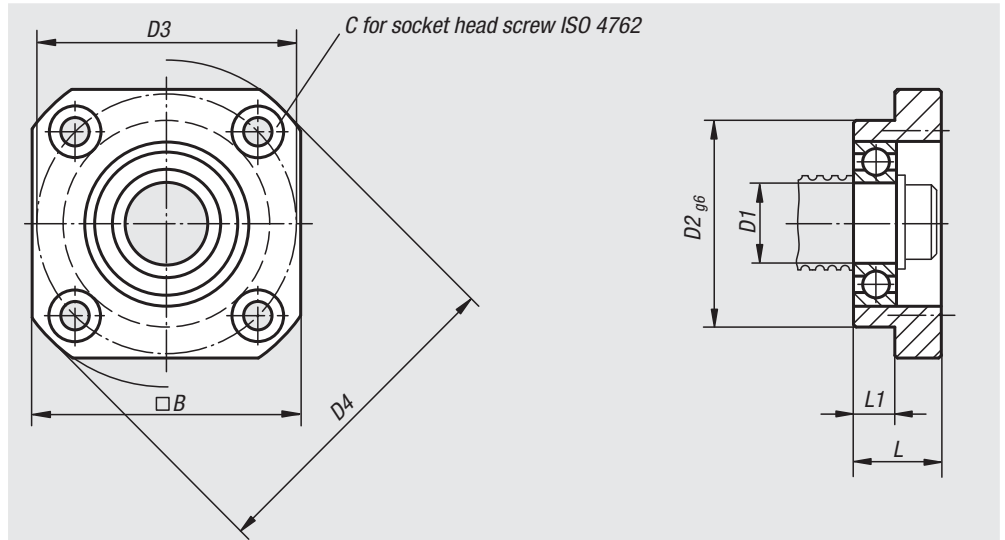
Housing, black oxide finish

Sample order:

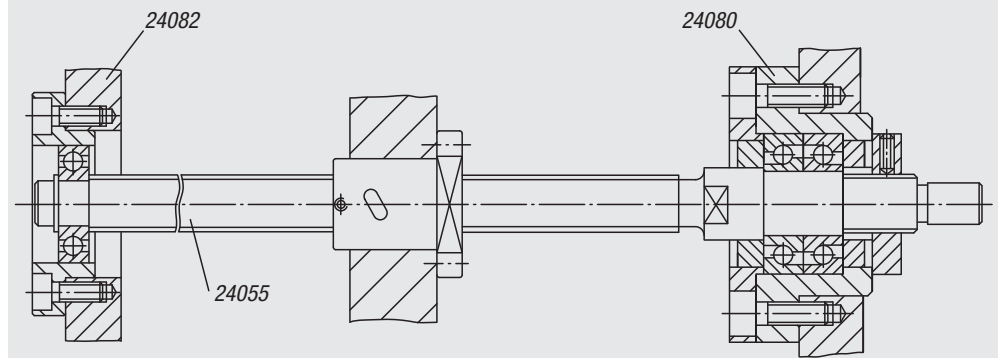
nIm 24082-010

Note:

The loose bearing unit is aligned with the solid bearing unit 24080. The loose bearing units consist of a housing with grooved ball bearing which adapts axially to the length dimensions of the spindle.



Floating bearing attached externally, fixed bearing attached internally



Order No.	Size	B	C	D1	D2	D3	D4	L	L1	Approx. weight kg
24082-010	10	35	M3	8	28	35	43	12	5	0,060
24082-012	12	42	M4	10	34	42	52	15	8	0,120
24082-015	15	52	M5	15	40	50	63	17	8	0,150
24082-020	20	68	M6	20	57	70	85	20	9	0,380