

# Rubber-metal buffer

type B



### Material, surface finish:

Metal parts, galvanized steel, class 5.6;  
elastomer, natural rubber, medium hardness,  
55° Shore A

### Sample order:

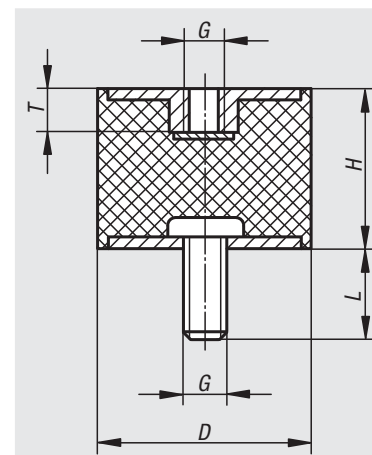
nIm 26102-00800855

### Note:

The rubber-metal buffers are widely-used construction devices for elastic bearings. They are used, among other things, as bearings for assemblies, motors, compressors, pumps and testing machines.

### Temperature range:

-30 °C up to +80 °C.



Order No.	D	H	G	L	T	Approx. weight g
26102-00800855	8	8	M3	6	3	1,0
26102-01001055	10	10	M4	10	4	2,7
26102-01001555	10	15	M4	10	4	3,6
26102-01500855	15	10	M4	10	4	7,6
26102-01501555	15	15	M4	10	4	8,3
26102-02001555	20	15	M6	18	5	14,0
26102-02002055	20	20	M6	18	5	16,0
26102-02002555	20	25	M6	18	5	17,0
26102-02501555	25	15	M6	18	5	25,0
26102-02502055	25	20	M6	18	5	28,0
26102-02502555	25	25	M6	18	5	30,0
26102-02503055	25	30	M6	18	5	30,0
26102-03001555	30	15	M8	23	7	38,0
26102-03002055	30	20	M8	23	7	51,0
26102-03002555	30	25	M8	23	7	47,0
26102-03003055	30	30	M8	23	7	48,0
26102-03004055	30	40	M8	23	7	60,0
26102-04002055	40	20	M8	23	7	75,0
26102-04003055	40	30	M8	23	7	91,0
26102-04004055	40	40	M8	23	7	103,0
26102-05002055	50	20	M10	28	8	112,0
26102-05002555	50	25	M10	28	8	125,0
26102-05003055	50	30	M10	28	8	135,0
26102-05004055	50	40	M10	28	8	168,0
26102-05005055	50	50	M10	28	8	183,0
26102-06004055	60	40	M10	28	8	224,0
26102-07004555	70	45	M10	28	8	348,0
26102-07502555	75	25	M12	37	10	299,0
26102-07504055	75	40	M12	37	10	420,0
26102-07505055	75	50	M12	37	10	467,0
26102-07505555	75	55	M12	37	10	469,0