

# Rubber-metal buffers

type E



### Material, surface finish:

Metal parts, galvanized steel, class 5.6;  
elastomer, natural rubber, medium hardness, 55° Shore A

### Sample order:

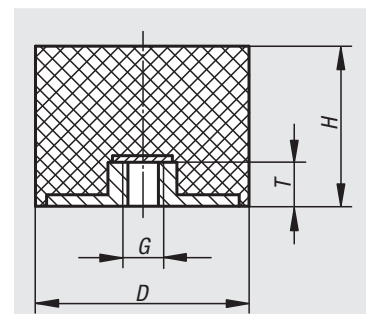
nIm 26103-00800855

### Note:

Rubber-metal buffers are widely-used construction devices that serve as elastic bearings. They are used, among other things, as bearings for assemblies, motors, compressors, pumps and testing machines.

### Temperature range:

- 30 °C to +80 °C.



| Order No.      | D  | H  | G   | T  | Approx. weight kg |
|----------------|----|----|-----|----|-------------------|
| 26103-00800855 | 8  | 8  | M3  | 3  | 0,002             |
| 26103-01501255 | 15 | 12 | M4  | 4  | 0,004             |
| 26103-01501555 | 15 | 15 | M4  | 4  | 0,005             |
| 26103-01502055 | 15 | 20 | M4  | 4  | 0,007             |
| 26103-02001555 | 20 | 15 | M6  | 6  | 0,012             |
| 26103-02002055 | 20 | 20 | M6  | 6  | 0,014             |
| 26103-02002555 | 20 | 25 | M6  | 6  | 0,015             |
| 26103-02501555 | 25 | 15 | M6  | 6  | 0,017             |
| 26103-02502555 | 25 | 25 | M6  | 6  | 0,021             |
| 26103-02503055 | 25 | 30 | M6  | 6  | 0,025             |
| 26103-02504055 | 25 | 40 | M6  | 6  | 0,028             |
| 26103-03001555 | 30 | 15 | M8  | 8  | 0,028             |
| 26103-03002555 | 30 | 25 | M8  | 8  | 0,03              |
| 26103-03003055 | 30 | 30 | M8  | 8  | 0,039             |
| 26103-03004055 | 30 | 40 | M8  | 8  | 0,045             |
| 26103-04002055 | 40 | 20 | M8  | 8  | 0,052             |
| 26103-04002555 | 40 | 25 | M8  | 8  | 0,058             |
| 26103-04003055 | 40 | 30 | M8  | 8  | 0,064             |
| 26103-04004055 | 40 | 40 | M8  | 8  | 0,079             |
| 26103-05002055 | 50 | 20 | M10 | 10 | 0,079             |
| 26103-05002555 | 50 | 25 | M10 | 10 | 0,092             |
| 26103-05003055 | 50 | 30 | M10 | 10 | 0,112             |
| 26103-05004055 | 50 | 40 | M10 | 10 | 0,123             |
| 26103-05005055 | 50 | 50 | M10 | 10 | 0,146             |
| 26103-06003055 | 60 | 30 | M10 | 10 | 0,189             |
| 26103-06004055 | 60 | 40 | M10 | 10 | 0,209             |
| 26103-06005055 | 60 | 50 | M10 | 10 | 0,229             |
| 26103-07004255 | 70 | 42 | M10 | 10 | 0,268             |
| 26103-07004555 | 70 | 45 | M10 | 10 | 0,277             |
| 26103-07502555 | 75 | 25 | M12 | 12 | 0,216             |
| 26103-07503055 | 75 | 30 | M12 | 12 | 0,232             |
| 26103-07504055 | 75 | 40 | M12 | 12 | 0,295             |
| 26103-07505055 | 75 | 50 | M12 | 12 | 0,34              |