

# Rubber-metal buffer

type C



## Material, surface finish:

Metal parts, galvanized steel, class 5.6;  
elastomer, natural rubber, medium hardness, 55° Shore A

## Sample order:

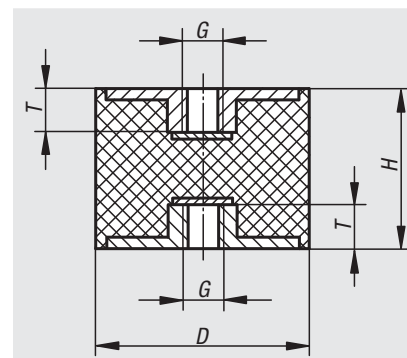
nIm 26104-01001055

## Note:

The rubber-metal buffers are widely-used construction devices for elastic bearings. They are used, among other things, as bearings for assemblies, motors, compressors, pumps and testing machines.

## Temperature range:

-30 °C up to +80 °C.



Order No.	D	H	G	T	Approx. weight g
26104-01001055	10	10	M4	4	2,0
26104-01001555	10	15	M4	4	2,0
26104-01501555	15	15	M4	4	5,0
26104-02002055	20	20	M6	5	14,0
26104-02002555	20	25	M6	5	17,0
26104-02502055	25	20	M6	5	24,0
26104-02502555	25	25	M6	5	27,0
26104-02503055	25	30	M6	5	30,0
26104-03002055	30	20	M8	7	35,0
26104-03003055	30	30	M8	7	44,0
26104-03004055	30	40	M8	7	50,0
26104-04003055	40	30	M8	7	78,0
26104-04004055	40	40	M8	7	93,0
26104-05003055	50	30	M10	8	126,0
26104-05004055	50	40	M10	8	145,0
26104-05005055	50	50	M10	8	169,0
26104-07504055	75	40	M12	10	366,0
26104-07505055	75	50	M12	10	425,0