

Rubber-metal buffer

type DS suction base



Material, surface finish:

Metal parts, galvanized steel, class 5.6;
elastomer, natural rubber, medium hardness,
57° Shore A

Sample order:

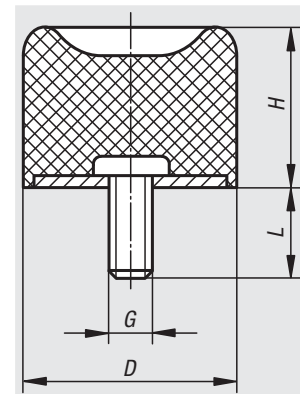
nIm 26107-01501457

Note:

The rubber-metal buffers are used, among other things, for the bearing of aggregates and as a shock stop for the limitation of spring travel in the case of moving masses.

Temperature range:

-30 °C up to +80 °C.



Order No.	D	H	G	L	Approx. weight g
26107-01501457	15	14	M4	13	5
26107-02501857	25	18	M6	18	20
26107-03002857	30	28,5	M8	23	41
26107-04002857	40	28	M8	23	60
26107-05002857	50	28	M10	28	100
26107-07003057	70	43	M10	28	300
26107-07503757	75	37	M12	37	270
26107-10005057	100	50	M16	42	623