

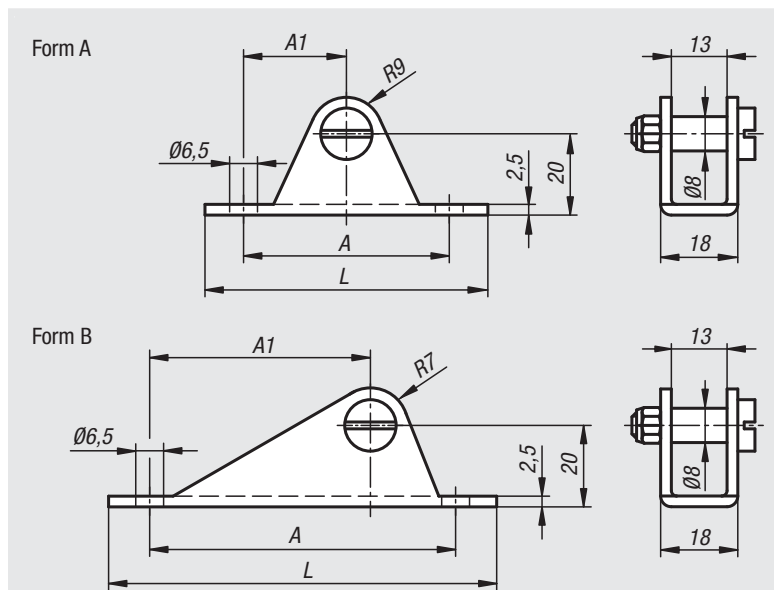
Bearing shoes



Material:
Steel

Surface finish:
galvanized

Sample order:
nlm 27616-08070



Order No.	Form	A	A1	L	Strength N	Approx. weight kg
27616-08070	A	51	25,5	70	1.800	0,002
27616-08095	B	75	54	96	1.800	0,004

Joint eyes

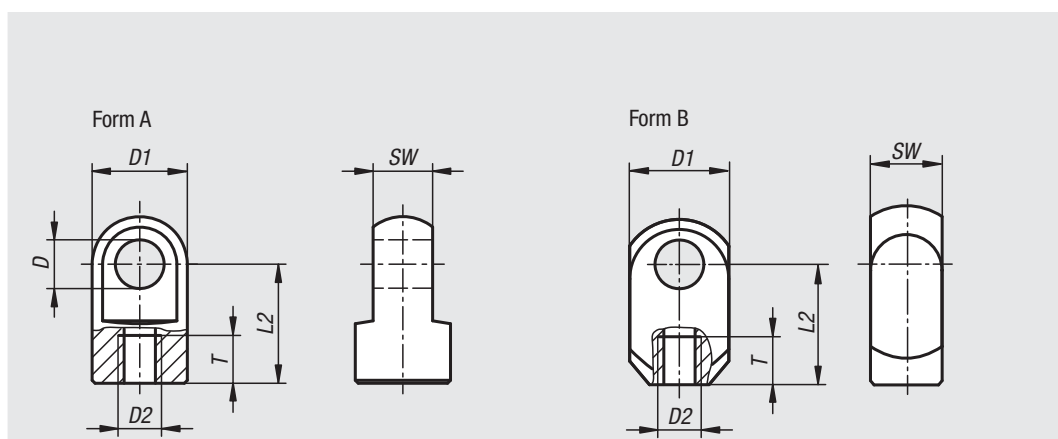


Material:
Steel

Surface finish:
galvanized

Sample order:
nlm 27618-03504111

Note:
Joint eyes with internal thread.



Order No.	Form	D	D1	D2	L2	SW	T	Approx. weight kg
27618-03504111	A	4,1	8	M3,5	11	4	6	0,003
27618-0506116	A	6,1	10	M5	16	3	8	0,021
27618-0508116	B	8,1	15	M5	16	10	8	0,021
27618-0808119	A	8,1	14	M8	19	10	11	0,017
27618-1008127	A	8,1	18	M10	27	10	12	0,038