

Fork joints with snap-on spring

DIN 71752

**Material:**Fork head and bolts of free-cutting steel,
spring leg of spring steel**Surface finish:**

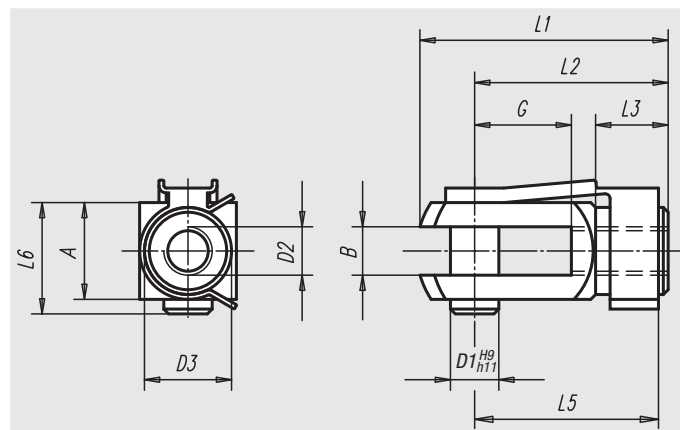
Galvanized and chromated

Sample order:

nlm 27620-0510

On request:

Left-handed thread.



Order No.	Surface finish	B	G	D1	D2	D3	L1	L2	L3	~L5	~L6	A	Approx. weight g
27620-03508	right-handed thread	4	8	4	M3,5	8	21	16	6	15	10	8	6,0
27620-0510	right-handed thread	5	10	5	M5	9	26	20	7,5	19	12	10	12,0
27620-0612	right-handed thread	6	12	6	M6	10	31	24	9	23	14	12	20,0
27620-0816	right-handed thread	8	16	8	M8	14	42	32	12	31	19	16	37,0
27620-0832	right-handed thread	8	32	8	M8	14	58	48	12	47	19	16	66,0
27620-1020	right-handed thread	10	20	10	M10	18	52	40	15	39	23	20	93,0
27620-10120	right-handed thread	10	20	10	M10x1,25	18	52	40	15	39	23	20	93,0
27620-1040	right-handed thread	10	40	10	M10	18	72	60	15	59	23	20	137,0
27620-10140	right-handed thread	10	40	10	M10x1,25	18	72	60	15	59	23	20	137,0
27620-1224	right-handed thread	12	24	12	M12	20	62	48	18	47	28	24	155,0
27620-12124	right-handed thread	12	24	12	M12x1,25	20	62	48	18	47	28	24	155,0
27620-1248	right-handed thread	12	48	12	M12	20	86	72	18	69	28	24	210,0
27620-12148	right-handed thread	12	48	12	M12x1,25	20	86	72	18	69	28	24	210,0
27620-1428	right-handed thread	14	28	14	M14	24	72	56	22,5	52	31	27	223,0
27620-1632	right-handed thread	16	32	16	M16	26	83	64	24	62	36	32	352,0
27620-16132	right-handed thread	16	32	16	M16x1,5	26	83	64	24	62	36	32	352,0