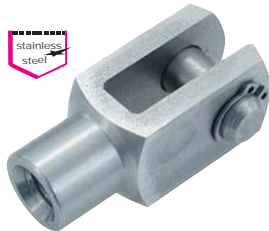


Fork joints,

stainless steel DIN 71751


Material:

Stainless steel 1.4305

Surface finish:

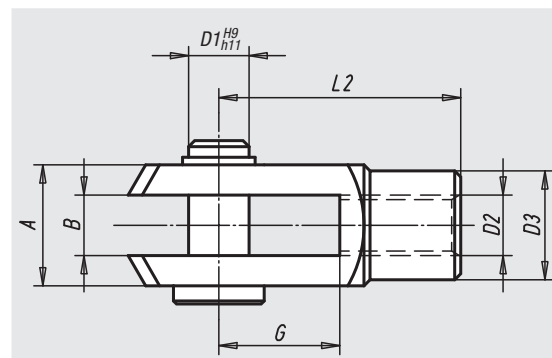
Natural finish

Sample order:

nln 27622-0816

On request:

Left-handed thread.



Order No.	B	G	D1	D2	D3	L2	A	Approx. weight kg
27622-0510	5	10	5	M5	9	20	10	0,011
27622-0612	6	12	6	M6	10	24	12	0,018
27622-0816	8	16	8	M8	14	32	16	0,046
27622-0832	8	32	8	M8	14	48	16	0,062
27622-1020	10	20	10	M10	18	40	20	0,091
27622-10120	10	20	10	M10x1,25	18	40	20	0,091
27622-1040	10	40	10	M10	18	60	20	0,120
27622-1224	12	24	12	M12	20	48	24	0,150
27622-12124	12	24	12	M12x1,25	20	48	24	0,150
27622-1248	12	48	12	M12	20	72	24	0,201
27622-12148	12	48	12	M12x1,25	20	72	24	0,201
27622-1428	14	28	14	M14	24	56	27	0,218
27622-1632	16	32	16	M16	26	64	32	0,338
27622-16132	16	32	16	M16x1,5	26	64	32	0,338