

# Rod ends with ball bearing

internal thread

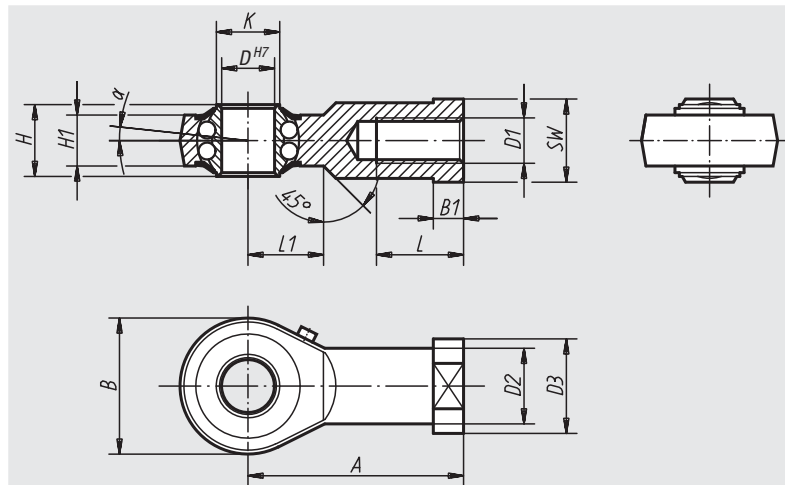


**Material:**  
Casing: drop-forged steel, tempered.

**Surface finish:**  
Galvanized. Internal Clearance 15 - 40 µm.

**Sample order:**  
nlm 27626-16

**Note:**  
The hardened ball bearing is long-term greased and sealed with cover washers. The connection dimensions comply with DIN 648 Form Series KA.



| Order No.<br>right-handed thread | Order No.<br>left-handed thread | D  | D1      | D2   | D3 | A  | B  | B1  | H  | H1   | K    | L  | L1 | SW | α    | Dynamic<br>base loads<br>N | Static<br>base loads<br>N | Rev. limit n<br>max. 1/min | Approx.<br>weight<br>kg |
|----------------------------------|---------------------------------|----|---------|------|----|----|----|-----|----|------|------|----|----|----|------|----------------------------|---------------------------|----------------------------|-------------------------|
| 27626-06                         | 27626-061                       | 6  | M6      | 10   | 13 | 30 | 20 | 5   | 9  | 6,75 | 9    | 12 | 10 | 11 | 8°   | 2750                       | 650                       | 1350                       | 0,024                   |
| 27626-08                         | 27626-081                       | 8  | M8      | 12,5 | 16 | 36 | 24 | 5   | 12 | 9    | 10,5 | 16 | 12 | 14 | 8,5° | 4000                       | 1000                      | 1300                       | 0,044                   |
| 27626-10                         | 27626-101                       | 10 | M10     | 15   | 19 | 43 | 28 | 6,5 | 14 | 10,5 | 12   | 20 | 15 | 17 | 8°   | 4450                       | 1450                      | 1225                       | 0,072                   |
| 27626-12                         | 27626-121                       | 12 | M12     | 17,5 | 22 | 50 | 32 | 6,5 | 16 | 12   | 14,5 | 22 | 16 | 19 | 7,5° | 4950                       | 1800                      | 1125                       | 0,107                   |
| 27626-16                         | 27626-161                       | 16 | M16     | 22   | 27 | 64 | 42 | 8   | 21 | 15   | 19   | 28 | 22 | 22 | 8°   | 6250                       | 2350                      | 975                        | 0,224                   |
| 27626-20                         | 27626-201                       | 20 | M20x1,5 | 27,5 | 34 | 77 | 50 | 10  | 25 | 18   | 24,5 | 33 | 26 | 30 | 7°   | 7900                       | 3450                      | 825                        | 0,367                   |
| 27626-22                         | 27626-221                       | 22 | M22x1,5 | 30   | 38 | 84 | 54 | 12  | 28 | 20   | 26   | 37 | 26 | 32 | 8°   | 9300                       | 3980                      | 725                        | 0,480                   |