

igubal® rod ends with slide bearing

external thread

**Material:**

Casing igumid® G, Spherical cap of the bearing iglidur® W300.

Surface finish:

Black

Sample order:

nlm 27627-105

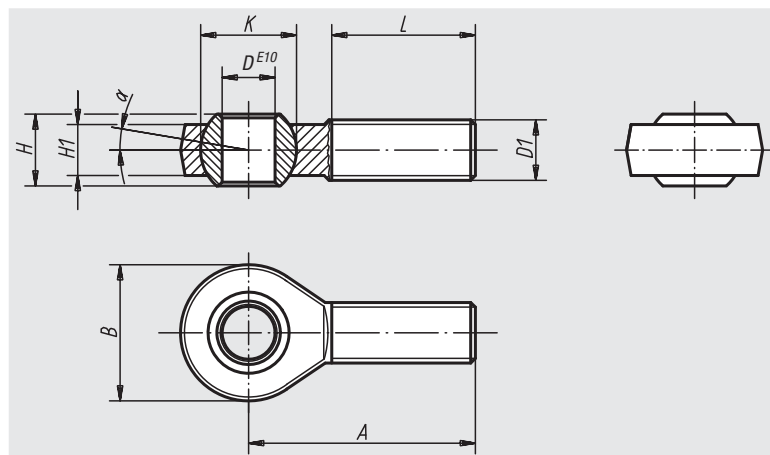
Note:

The rod end has very high rigidity under alternating stresses, it is insensitive to dirt, dust and fluff, and is both corrosion and chemical resistant. It is ideal for rotary, oscillating and linear movements.

The connection dimensions comply with the dimensional series K pursuant to DIN ISO 12240.

Tolerances:

The drill hole of the inner ring is machined to tolerance E10. The associated shaft should have tolerances between h6 and h9.



Order No. right-handed thread	Order No. left-handed thread	D	D1	A	B	H	H1	K	L	α	Max. static tensile stress N short-term	Max. static tensile stress N long-term	Max. transverse stress N short-term	Max. transverse stress N long-term	Approx. weight g
27627-105	27627-1051	5	M5	33	18	8	6	11,1	19	15°	800	400	80	40	2,7
27627-106	27627-1061	6	M6	36	20	9	7	12,7	21	14,5°	1000	500	100	50	3,9
27627-108	27627-1081	8	M8	42	24	12	9	15,8	25	12,5°	1700	850	200	100	7,1
27627-110	27627-1101	10	M10	48	30	14	10,5	19	28	12,5°	2500	1250	300	150	12,5
27627-110125	27627-1101251	10	M10x1,25	48	30	14	10,5	19	28	12,5°	2500	1250	300	150	12,5
27627-112	27627-1121	12	M12	54	34	16	12	22,2	32	12,5°	2700	1350	400	200	18,1
27627-112125	27627-1121251	12	M12x1,25	54	34	16	12	22,2	32	12,5°	2700	1350	400	200	18,1
27627-114	27627-1141	14	M14	61	38	19	13,5	25,25	36	12,5°	3400	1700	700	350	25,5
27627-116	27627-1161	16	M16	66	42	21	15	28,3	37	11,5°	3900	1950	800	400	34,3
27627-116150	27627-1161501	16	M16x1,5	66	42	21	15	28,3	37	11,5°	3900	1950	800	400	34,3
27627-118150	27627-1181501	18	M18x1,5	72	46	23	16,5	31,35	41	11,5°	4200	2100	1000	500	46,5
27627-120	27627-1201	20	M20	78	50	25	18	34,9	45	11,5°	6000	3000	1300	650	58,5
27627-120150	27627-1201501	20	M20x1,5	78	50	25	18	34,9	45	11,5°	6000	3000	1300	650	58,5