

igubal® rod ends with slide bearing

internal thread

**Material:**

Casing igumid® G, Spherical cap of the bearing iglidur® W300.

Surface finish:

Black

Sample order:

nIm 27628-104

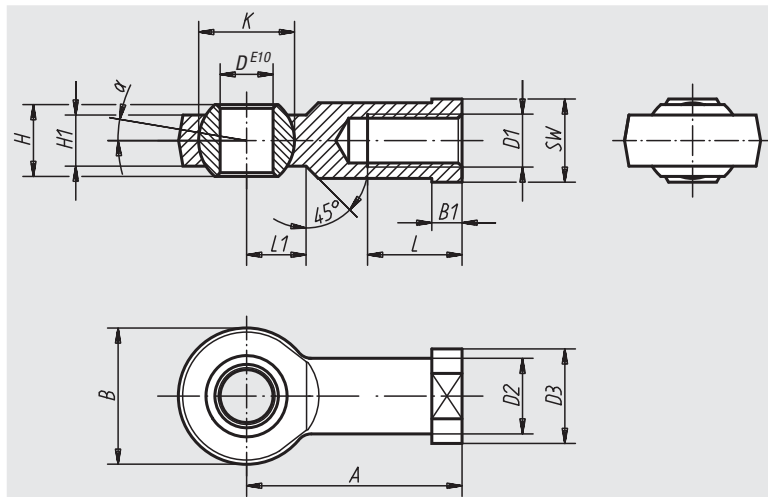
Note:

The rod end has very high rigidity under alternating stresses, it is insensitive to dirt, dust and fluff, and is both corrosion and chemical resistant. It is ideal for rotary, oscillating and linear movements.

The connection dimensions comply with the dimensional series K pursuant to DIN ISO 12240.

Tolerances:

The drill hole of the inner ring has tolerances to E10. The associated shaft should have tolerances between h6 and h9.



Order No. right-handed thread	Order No. left-handed thread	D	D1	D2	D3	A	B	B1	H	H1	K	L	L1	SW	α
27628-104	27628-1041	5	M4	9	12	27	18	4	8	6	11,1	10	9	9	15°
27628-105	27628-1051	5	M5	9	12	27	18	4	8	6	11,1	10	9	9	15°
27628-106	27628-1061	6	M6	10	13	30	20	5	9	7	12,7	12	10	11	14,5°
27628-108	27628-1081	8	M8	13	16	36	24	5	12	9	15,8	16	12	14	12,5°
27628-110	27628-1101	10	M10	15	19	43	30	6,5	14	10,5	19	20	14	17	12,5°
27628-110125	27628-1101251	10	M10x1,25	15	19	43	30	6,5	14	10,5	19	20	14	17	12,5°
27628-112	27628-1121	12	M12	-	-	50	34	-	16	12	22,2	22	16	17	12,5°
27628-112125	27628-1121251	12	M12x1,25	18	22	50	34	6,5	16	12	22,2	22	16	19	12,5°
27628-114	27628-1141	14	M14	20	25	57	38	8	19	13,5	25,25	25	18	22	11,5°
27628-116	27628-1161	16	M16	22	27	64	42	8	21	15	28,3	28	21	22	11,5°
27628-116150	27628-1161501	16	M16x1,5	22	27	64	42	8	21	15	28,3	28	21	22	11,5°
27628-118150	27628-1181501	18	M18x1,5	25	31	71	46	10	23	16,5	31,35	32	23	27	11,5°
27628-120	27628-1201	20	M20	28	34	77	50	10	25	18	34,9	33	25	30	11,5°
27628-120150	27628-1201501	20	M20x1,5	28	34	77	50	10	25	18	34,9	33	25	30	11,5°

Order No. right-handed thread	Order No. left-handed thread	D1	Max. static tensile stress N short-term	Max. static tensile stress N long-term	Max. transverse stress N short-term	Max. transverse stress N long-term	Approx. weight g
27628-104	27628-1041	M4	1000	500	250	125	3,5
27628-105	27628-1051	M5	1000	500	250	125	3,5
27628-106	27628-1061	M6	1400	700	400	200	4,7
27628-108	27628-1081	M8	2100	1050	700	350	8,7
27628-110	27628-1101	M10	3100	1550	800	400	14,4
27628-110125	27628-1101251	M10x1,25	3100	1550	800	400	14,4
27628-112	27628-1121	M12	3600	1800	900	450	19,4
27628-112125	27628-1121251	M12x1,25	3600	1800	900	450	19,4
27628-114	27628-1141	M14	4000	2000	1000	500	30,5
27628-116	27628-1161	M16	4200	2100	1300	650	39,9
27628-116150	27628-1161501	M16x1,5	4200	2100	1300	650	39,9
27628-118150	27628-1181501	M18x1,5	4600	2300	1600	800	55,2
27628-120	27628-1201	M20	5400	2700	2100	1050	70,8
27628-120150	27628-1201501	M20x1,5	5400	2700	2100	1050	70,8