

27659

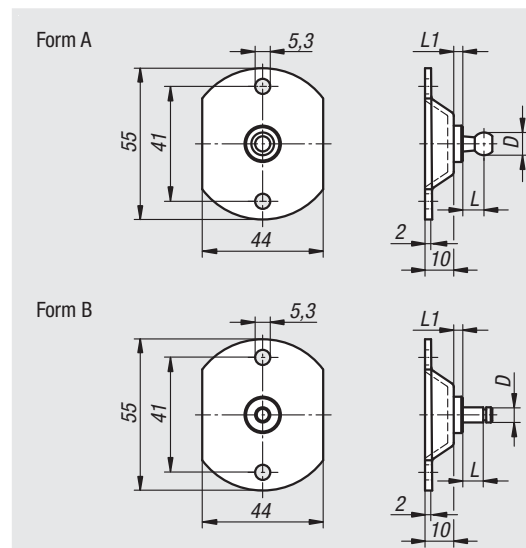
Round brackets



Material:
Steel

Surface finish:
galvanized

Sample order:
nlm 27659-00855



Order No.	Form	D	L	L1	Strength N	Approx. weight kg
27659-00855	A	8	8	3	500	0,042
27659-01055	A	10	9	3	800	0,045
27659-01355	A	13	9,5	3	1200	0,052
27659-10655	B	6	7	4	500	0,043
27659-10855	B	8	11	5	1200	0,049

27660

Circlips for ball seats

DIN 71805

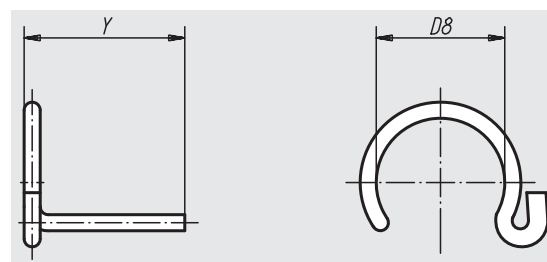


Material:
Spring steel

Surface finish:
galvanized and chromated

Sample order:
nlm 27660-08

Note:
For Ball seats DIN 71805



Order No.	Type	D8	Y	Suitable for ball sockets with D1
27660-08	S 8	7	12	8
27660-10	S10	8,7	12,5	10
27660-13	S13	11	15,7	13
27660-16	S16	13	19	16
27660-19	S19	20	24	19