

# Axial joints

similar to DIN 71802



**Material:**

Steel

**Surface finish:**

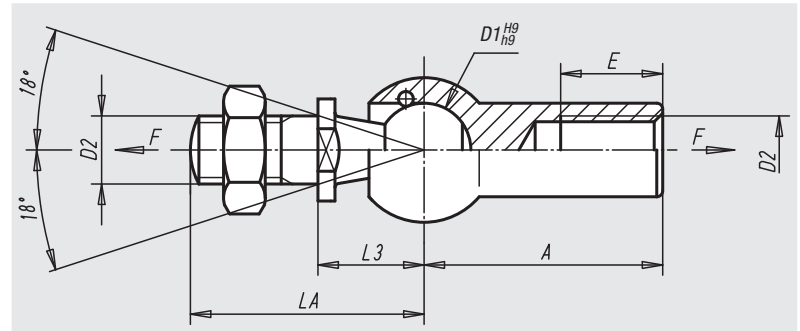
galvanized and chromated

**Sample order:**

nIm 27665-10

**On request:**

Axial joints with greater extraction force and left-hand thread available.



Order No.	D1	D2	A	LA	L3	E	Extraction force F in N	Approx. weight kg
27665-08	8	M5	22	19,2	9	10,2	30	0,015
27665-10	10	M6	25	23,5	11	11,5	40	0,025
27665-13	13	M8	30	29,5	13	14	60	0,053
27665-16	16	M10	35	36	16	15,5	80	0,104
27665-19	19	M14x1,5	45	48	20	21,5	100	0,221