

Height adjustment bolts with counter-nuts

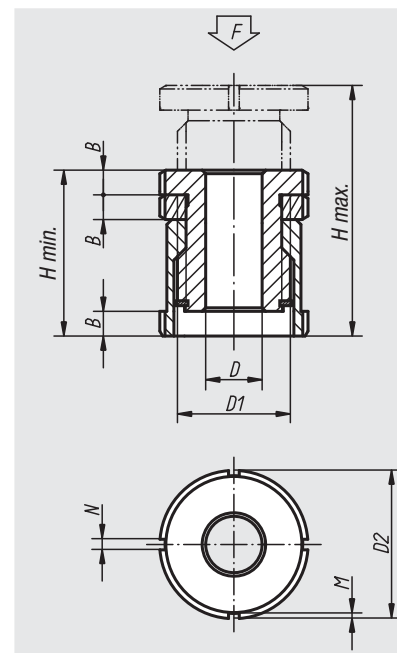


Material:
Steel 1.7225. Stainless steel 1.4305.

Surface finish:
Steel zinc plated, blue chromated.
Stainless steel surface finish.

Sample order:
nlm 27701-01004

Note:
The height adjustment bolts are used when dealing with the positioning and alignment of motors, motor units, drive components and production lines. The counter-nut secures the given adjustment. Other sizes available on request.



Order No.	Material	D	for screw	D1	D2	H min.	H max.	B	N	M	F kN
27701-01004	steel	4,5	M4	M15x1	25	33	43	5	4	2	40
27701-01005	steel	5,5	M5	M15x1	25	33	43	5	4	2	40
27701-01006	steel	6,6	M6	M15x1	25	33	43	5	4	2	40
27701-01406	steel	6,6	M6	M20x1	32	41	55	6	4	2	65
27701-01408	steel	9	M8	M20x1	32	41	55	6	4	2	65
27701-01410	steel	11	M10	M20x1	32	41	55	6	4	2	65
27701-01810	steel	11	M10	M30x1,5	45	49	67	7	5	2	120
27701-01812	steel	13,5	M12	M30x1,5	45	49	67	7	5	2	120
27701-01816	steel	17,5	M16	M30x1,5	45	49	67	7	5	2	120
27701-02316	steel	17,5	M16	M40x1,5	58	63	86	9	6	2,5	210
27701-02320	steel	22	M20	M40x1,5	58	63	86	9	6	2,5	210
27701-02324	steel	26	M24	M40x1,5	58	63	86	9	6	2,5	210
27701-02920	steel	22	M20	M50x1,5	70	77	106	11	6	2,5	330
27701-02924	steel	26	M24	M50x1,5	70	77	106	11	6	2,5	330
27701-02930	steel	33	M30	M50x1,5	70	77	106	11	6	2,5	330
27701-010041	stainless steel	4,5	M4	M15x1	25	33	43	5	4	2	27,1
27701-010051	stainless steel	5,5	M5	M15x1	25	33	43	5	4	2	27,1
27701-010061	stainless steel	6,6	M6	M15x1	25	33	43	5	4	2	27,1
27701-014061	stainless steel	6,6	M6	M20x1	32	41	55	6	4	2	43,4
27701-014081	stainless steel	9	M8	M20x1	32	41	55	6	4	2	43,4
27701-014101	stainless steel	11	M10	M20x1	32	41	55	6	4	2	43,4
27701-018101	stainless steel	11	M10	M30x1,5	45	49	67	7	5	2	84
27701-018121	stainless steel	13,5	M12	M30x1,5	45	49	67	7	5	2	84
27701-018161	stainless steel	17,5	M16	M30x1,5	45	49	67	7	5	2	84
27701-023161	stainless steel	17,5	M16	M40x1,5	58	63	86	9	6	2,5	148
27701-023201	stainless steel	22	M20	M40x1,5	58	63	86	9	6	2,5	148
27701-023241	stainless steel	26	M24	M40x1,5	58	63	86	9	6	2,5	148
27701-029201	stainless steel	22	M20	M50x1,5	70	77	106	11	6	2,5	225
27701-029241	stainless steel	26	M24	M50x1,5	70	77	106	11	6	2,5	225
27701-029301	stainless steel	33	M30	M50x1,5	70	77	106	11	6	2,5	225