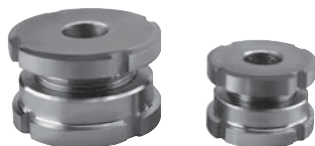


Level-compensating components


Material:

Steel 1.7225. Stainless steel 1.4305.

Surface finish:

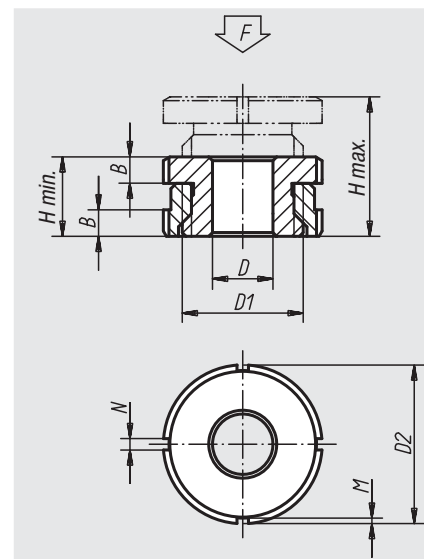
Steel zinc plated, blue chromated.
Stainless steel surface finish.

Sample order:

nIm 27702-0404

Note:

The level-compensating bolts are used when dealing with the positioning and alignment of motors, motor units, drive components and production lines. The advantage of a level adjustment bolt is its low height. Using the level-compensating bolt, alignments can be quickly and easily made, even if several ball-bearing positions are involved. This guarantees assembly with no risk of deviation.



Order No.	Material	D	for screw	D1	D2	H min.	H max.	B	N	M	F kN
27702-0404	steel	4,5	M4	M15x1	25	15	19	5	4	2	40
27702-0405	steel	5,5	M5	M15x1	25	15	19	5	4	2	40
27702-0406	steel	6,6	M6	M15x1	25	15	19	5	4	2	40
27702-0506	steel	6,6	M6	M20x1	32	18	23	6	4	2	65
27702-0508	steel	9	M8	M20x1	32	18	23	6	4	2	65
27702-0510	steel	11	M10	M20x1	32	18	23	6	4	2	65
27702-0710	steel	11	M10	M30x1,5	45	22	29	7	5	2	120
27702-0712	steel	13,5	M12	M30x1,5	45	22	29	7	5	2	120
27702-0716	steel	17,5	M16	M30x1,5	45	22	29	7	5	2	120
27702-0916	steel	17,5	M16	M40x1,5	58	28	37	9	6	2,5	210
27702-0920	steel	22	M20	M40x1,5	58	28	37	9	6	2,5	210
27702-0924	steel	26	M24	M40x1,5	58	28	37	9	6	2,5	210
27702-1020	steel	22	M20	M50x1,5	70	33	43	11	6	2,5	330
27702-1024	steel	26	M24	M50x1,5	70	33	43	11	6	2,5	330
27702-1030	steel	33	M30	M50x1,5	70	33	43	11	6	2,5	330
27702-04041	stainless steel	4,5	M4	M15x1	25	15	19	5	4	2	27,1
27702-04051	stainless steel	5,5	M5	M15x1	25	15	19	5	4	2	27,1
27702-04061	stainless steel	6,6	M6	M15x1	25	15	19	5	4	2	27,1
27702-05061	stainless steel	6,6	M6	M20x1	32	18	23	6	4	2	43,4
27702-05081	stainless steel	9	M8	M20x1	32	18	23	6	4	2	43,4
27702-05101	stainless steel	11	M10	M20x1	32	18	23	6	4	2	43,4
27702-07101	stainless steel	11	M10	M30x1,5	45	22	29	7	5	2	84
27702-07121	stainless steel	13,5	M12	M30x1,5	45	22	29	7	5	2	84
27702-07161	stainless steel	17,5	M16	M30x1,5	45	22	29	7	5	2	84
27702-09161	stainless steel	17,5	M16	M40x1,5	58	28	37	9	6	2,5	148
27702-09201	stainless steel	22	M20	M40x1,5	58	28	37	9	6	2,5	148
27702-09241	stainless steel	26	M24	M40x1,5	58	28	37	9	6	2,5	148
27702-10201	stainless steel	22	M20	M50x1,5	70	33	43	11	6	2,5	225
27702-10241	stainless steel	26	M24	M50x1,5	70	33	43	11	6	2,5	225
27702-10301	stainless steel	33	M30	M50x1,5	70	33	43	11	6	2,5	225

