

# Spherical level-compensating bolts


**Material:**

Steel 1.7225. Stainless steel 1.4305.

**Surface finish:**

Steel zinc plated, blue chromated.  
Stainless steel surface finish.

**Sample order:**

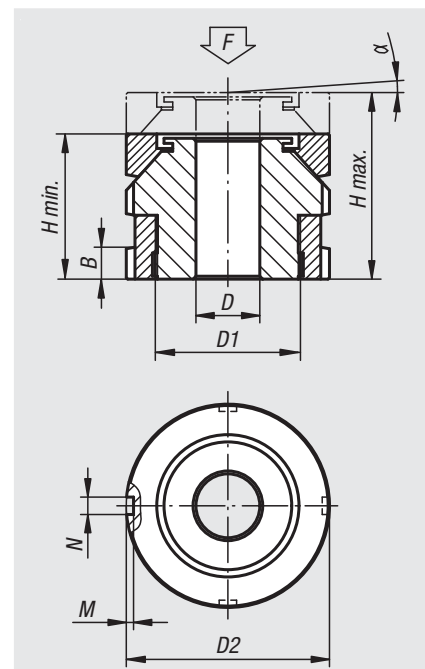
nIm 27705-0406

**Note:**

The spherical level-compensating bolt is used when dealing with the positioning and alignment of motors, motor units, drive elements and production lines. Exact positioning in the assembly of sloped baseplates up to a 4° angle of inclination can be achieved with the spherical level-compensating bolt.

**Accessory:**

Ball head precision adjusters 07460



Order No.	Material	D	for screw	D1	D2	H min.	H max.	B	N	M	$\alpha$	F kN
27705-0406	steel	6,6	M6	M15x1	25	22	26	5	4	2	4°	40
27705-0506	steel	6,6	M6	M20x1	32	26	31	6	4	2	4°	65
27705-0508	steel	9	M8	M20x1	32	26	31	6	4	2	4°	65
27705-0510	steel	11	M10	M20x1	32	26	31	6	4	2	4°	65
27705-0710	steel	11	M10	M30x1,5	45	34	41	7	5	2	4°	120
27705-0712	steel	13,5	M12	M30x1,5	45	34	41	7	5	2	4°	120
27705-0716	steel	17,5	M16	M30x1,5	45	34	41	7	5	2	4°	120
27705-0916	steel	17,5	M16	M40x1,5	58	44	53	9	6	2,5	4°	210
27705-0920	steel	22	M20	M40x1,5	58	44	53	9	6	2,5	4°	210
27705-0924	steel	26	M24	M40x1,5	58	44	53	9	6	2,5	4°	210
27705-1020	steel	22	M20	M50x1,5	70	50	60	11	6	2,5	4°	330
27705-1024	steel	26	M24	M50x1,5	70	50	60	11	6	2,5	4°	330
27705-1030	steel	33	M30	M50x1,5	70	50	60	11	6	2,5	4°	330
27705-1224	steel	26	M24	M60x2	80	56	68	11	7	3	4°	495
27705-1230	steel	33	M30	M60x2	80	56	68	11	7	3	4°	495
27705-04061	stainless steel	6,6	M6	M15x1	25	22	26	5	4	2	4°	27,1
27705-05061	stainless steel	6,6	M6	M20x1	32	26	31	6	4	2	4°	43,4
27705-05081	stainless steel	9	M8	M20x1	32	26	31	6	4	2	4°	43,4
27705-05101	stainless steel	11	M10	M20x1	32	26	31	6	4	2	4°	43,4
27705-07101	stainless steel	11	M10	M30x1,5	45	34	41	7	5	2	4°	84
27705-07121	stainless steel	13,5	M12	M30x1,5	45	34	41	7	5	2	4°	84
27705-07161	stainless steel	17,5	M16	M30x1,5	45	34	41	7	5	2	4°	84
27705-09161	stainless steel	17,5	M16	M40x1,5	58	44	53	9	6	2,5	4°	148
27705-09201	stainless steel	22	M20	M40x1,5	58	44	53	9	6	2,5	4°	148
27705-09241	stainless steel	26	M24	M40x1,5	58	44	53	9	6	2,5	4°	148
27705-10201	stainless steel	22	M20	M50x1,5	70	50	60	11	6	2,5	4°	225
27705-10241	stainless steel	26	M24	M50x1,5	70	50	60	11	6	2,5	4°	225
27705-10301	stainless steel	33	M30	M50x1,5	70	50	60	11	6	2,5	4°	225
27705-12241	stainless steel	26	M24	M60x2	80	56	68	11	7	3	4°	323
27705-12301	stainless steel	33	M30	M60x2	80	56	68	11	7	3	4°	323