

Plates for swivel pads

in stainless steel



Material:

Plates, stainless steel 1.4301.

Core, thermoplastic PA.

Rubber support TPE.

Surface finish:

Plate natural finish;

light grey rubber support with sealing

lip, hardness 70 Shore A;

range of use from -20 °C to +100 °C

Sample order:

nlm 27803-1060

27803-1060 and 27810-060152 **assembled**

Note for ordering:

If the swivel pad plate and the threaded spindle resp. the ball joint are to be supplied assembled, please add the suffix „assembled“ to the order number for the plate and the spindle resp. the ball joint. (e.g. 27803-1060 and 27810-060152 assembled.)

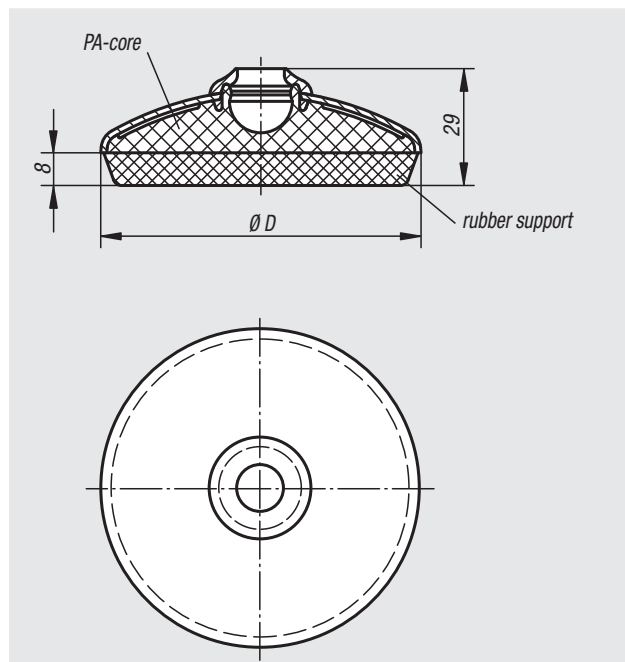
Note:

The stainless steel plates excel in that the rubber support combined with the stainless steel plates and the PA core is sprayed. The rubber support is resistant to oil and water (up to 60 °C). In addition, it is furnished with antibacterial and antimicrobial protection and is thus outstandingly suited for sectors in the foods industry.

Swivel pads consist of a plate and a threaded spindle resp. a ball joint. Any plate can be combined with any threaded spindle resp. any ball joint.

For matching threaded spindles see 27810.

For matching ball joints see 27811.



Order No.	D	Load capacity max. kN	Approx. weight kg
27803-1060	58,5	7	0,075
27803-1080	78,5	7	0,150
27803-1100	98,5	7	0,220