

Plates for swivel pads

with vibration absorption



Material:

Plate in die cast zinc or stainless steel 1.4305.
Damper plate PUR elastomere (Sylomer V12).

Surface finish:

Plate in die cast zinc, black powder-coated.
Plate in stainless steel, natural finish.
Damper plate grey, fixed, cannot slip.
Range of use from -30 °C to +70 °C.

Sample order:

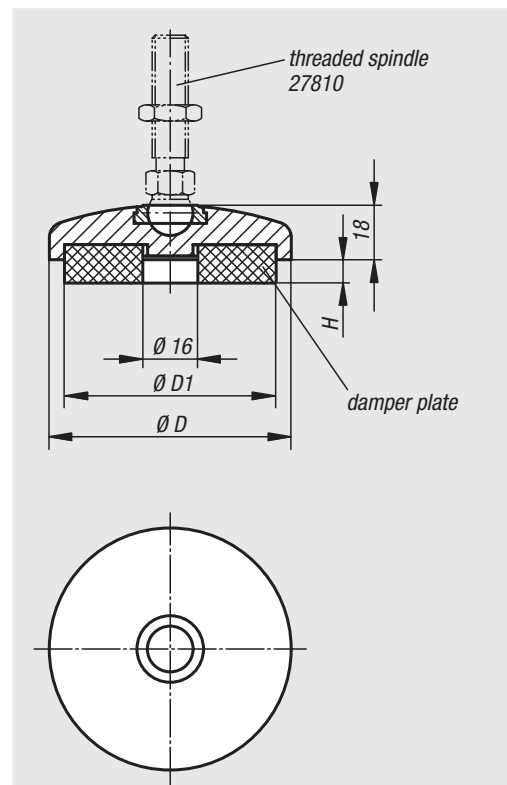
nIm 27804-20601
27804-20601 and 27810-060151 **assembled**

Note for ordering:

If the swivel pad plate and the threaded spindle resp. the ball joint are to be supplied assembled, please add the suffix „assembled“ to the order number for the plate and the spindle resp. the ball joint. (e.g. 27804-20601 and 27810-060151 assembled.)

Note:

The manageable load given in the table is a recommendation of the permanent static load up to which the absorption unit should be used. This static load corresponds to a pressure per area of 0.4 N/mm², at which the material reaches its optimum absorption properties. Here it is taken into account that under dynamic demands an additional load, up to 0.6 N/mm² may occur. The damper plate absorbs vibrations and prevents slipping of the swivel pad. Swivel pads consist of a plate and a threaded spindle resp. a ball joint. Any plate can be combined with any threaded spindle resp. any ball joint. For matching threaded spindles see 27810. For matching ball joints see 27811.



Order No.	Material	D	D1	H (under pressure of 0 / 0,4 / 0,6 N/mm ²)	Load capacity (under pressure of 0,4 N/mm ²) N
27804-20401	die cast zinc	40	30,5	7 / 5,9 / 4,8	62
27804-20501	die cast zinc	50	40,5	7 / 5,9 / 4,8	212
27804-20601	die cast zinc	60	50	7 / 5,9 / 4,8	433
27804-20801	die cast zinc	80	68	7 / 5,9 / 4,8	614
27804-20402	stainless steel	40	30,5	7 / 5,8 / 4,9	212
27804-20502	stainless steel	50	40,5	7 / 5,8 / 4,9	435
27804-20602	stainless steel	60	50	7 / 5,8 / 4,9	705
27804-20802	stainless steel	80	68	7 / 5,8 / 4,9	1372