

Ball joints

with internal thread



Material:

Steel or stainless steel 1.4301.

Surface finish:

Steel blue chromated.

Stainless steel, natural finish.

Sample order:

nIm 27811-061

27811-061 and 27800-1030 assembled

Note for ordering:

If the ball joint and the swivel pad plate are to be supplied assembled, please add the suffix „assembled“ to the order number for the ball joint and plate. (e.g. 27811-061 and 27800-1030 assembled.)

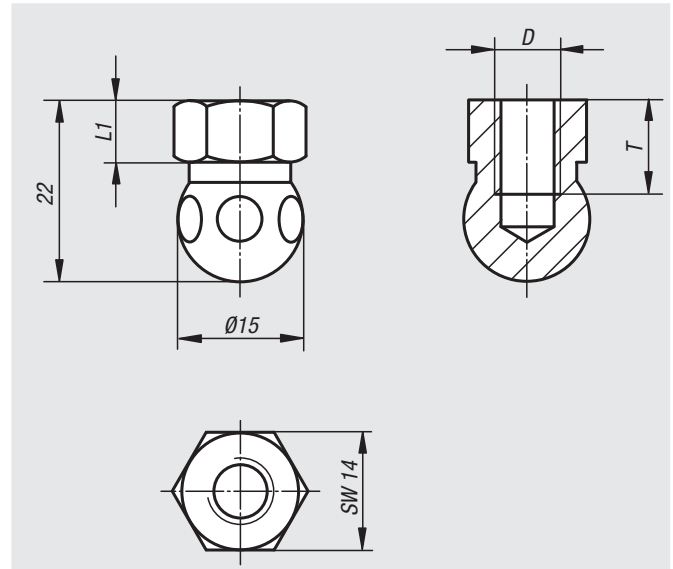
Note:

For direct fastening of swivel pads by standard screws.

Swivel pads consist of a ball joint and a plate. Any ball joint can be combined with any plate.

The height of the complete swivel pad is calculated by the height of hexagon + 22,5 mm.

(Overall height of swivel pad = L1 + 22,5 mm)



Order No. steel	Order No. stainless steel	D	L1	T	Approx. weight kg
27811-061	27811-062	M6	7,5	10	0,020
27811-081	27811-082	M8	7,5	10	0,020