

Extended plates for swivel feet

in die cast zinc



Material:

Plate in die cast zinc.
Anti-slip-plate in thermoplastic elastomer.

Surface finish:

Plate black powder-coated.

Sample order:

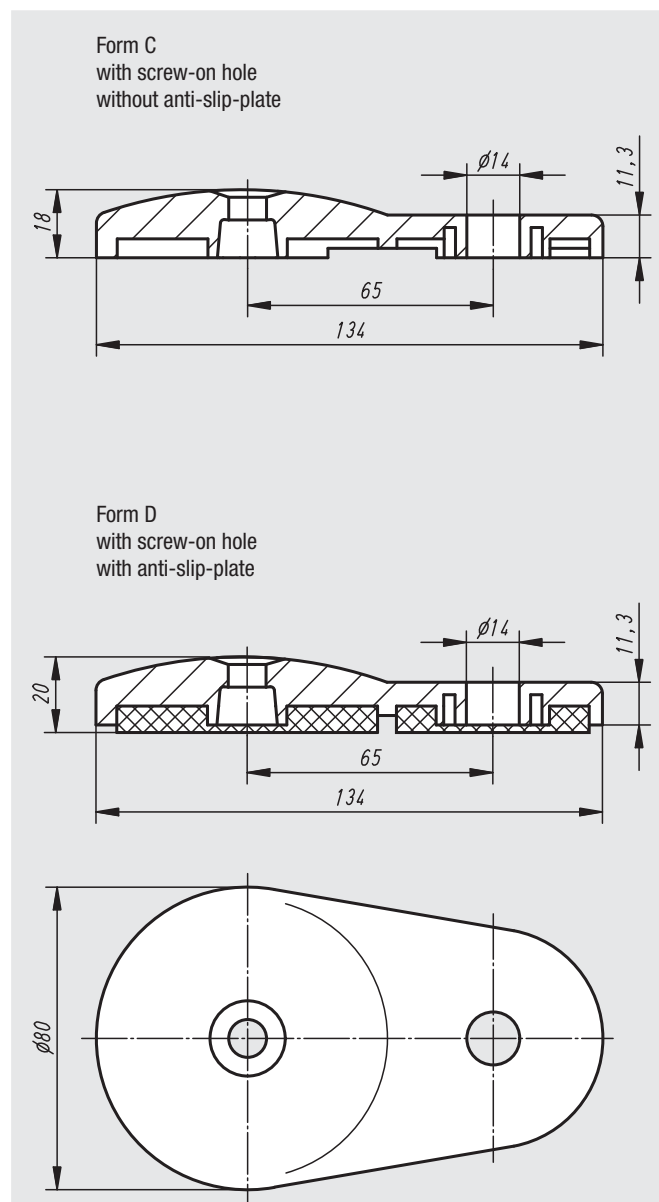
nIm 27818-30801
27818-30801 and 27828-120661 **assembled**

Note for ordering:

If the swivel foot plate and the threaded spindle are to be supplied assembled, please add the suffix „assembled“ to the order number for the plate and spindle. (e.g. 27818-30801 and 27828-120661 assembled.)

Note:

Swivel feet consist of a plate and a threaded spindle. Any plate can be combined with any threaded spindle. The anti-slip-plate absorbs vibrations and prevents slipping of the swivel foot. For matching threaded spindles see 27828.



Order No.	Form	Load capacity max. kN	Approx. weight kg
27818-30801	C	35	0,400
27818-40801	D	35	0,435