

## Height-adjustable equipment feet

for aluminium profiles



**Material, surface finish:**

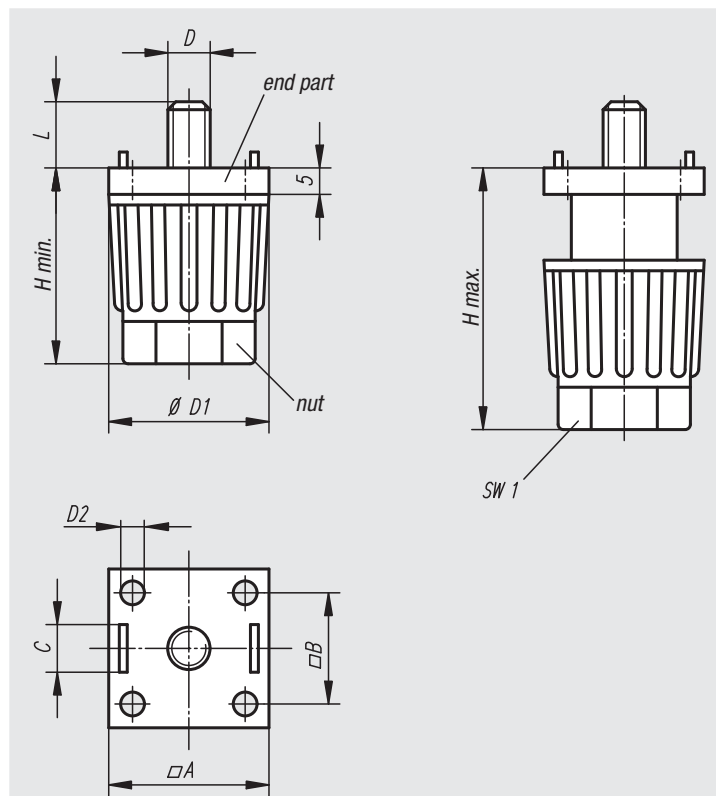
Housing, glass-fibre reinforced thermoplastic, black.  
Spindle and washer, galvanized steel.

**Sample order:**

nIm 27840-300805

**Note:**

Equipment feet are particularly suitable for tables and lighter installations. The equipment foot height can be infinitely adjusted by turning the nut by hand or tool. The pins at the bottom centre of the equipment foot secure it against torsion. Equipment feet can be secured on aluminium profiles without costly drilling by using a nut for T-slots.



Side assembly in profile

no drilling necessary by using a T-slot nut



Head end assembly



Order No.	A for aluminium profile	B	C for slot	D	D1	D2 for countersunk screw	H min. - max.	L	SW1	Load capacity max. kN	Approx. weight kg
27840-300805	30	20,5	8	M5	30	M4	35-50	14	22	1,5	0,040
27840-300806	30	20,5	8	M6	30	M4	35-50	14	22	1,5	0,040
27840-300808	30	20,5	8	M8	30	M4	35-50	14	22	1,5	0,040
27840-301005	30	20,5	10	M5	30	M4	35-50	14	22	1,5	0,040
27840-301006	30	20,5	10	M6	30	M4	35-50	14	22	1,5	0,040
27840-301008	30	20,5	10	M8	30	M4	35-50	14	22	1,5	0,040
27840-400806	40	28	8	M6	40	M6	45-65	14	30	1,5	0,078
27840-400808	40	28	8	M8	40	M6	45-65	14	30	1,5	0,078
27840-401006	40	28	10	M6	40	M6	45-65	14	30	1,5	0,078
27840-401008	40	28	10	M8	40	M6	45-65	14	30	1,5	0,078