

Hinges

in plastic with clamping function



Material:

Thermoplastic hinge glass-fibre reinforced; axle in steel; clamping lever glass-fibre reinforced thermoplastic; mechanics in steel

Surface finish:

Hinge black; axle galvanized; clamping lever black; mechanics black galvanized

Sample order:

nln 27853-251515

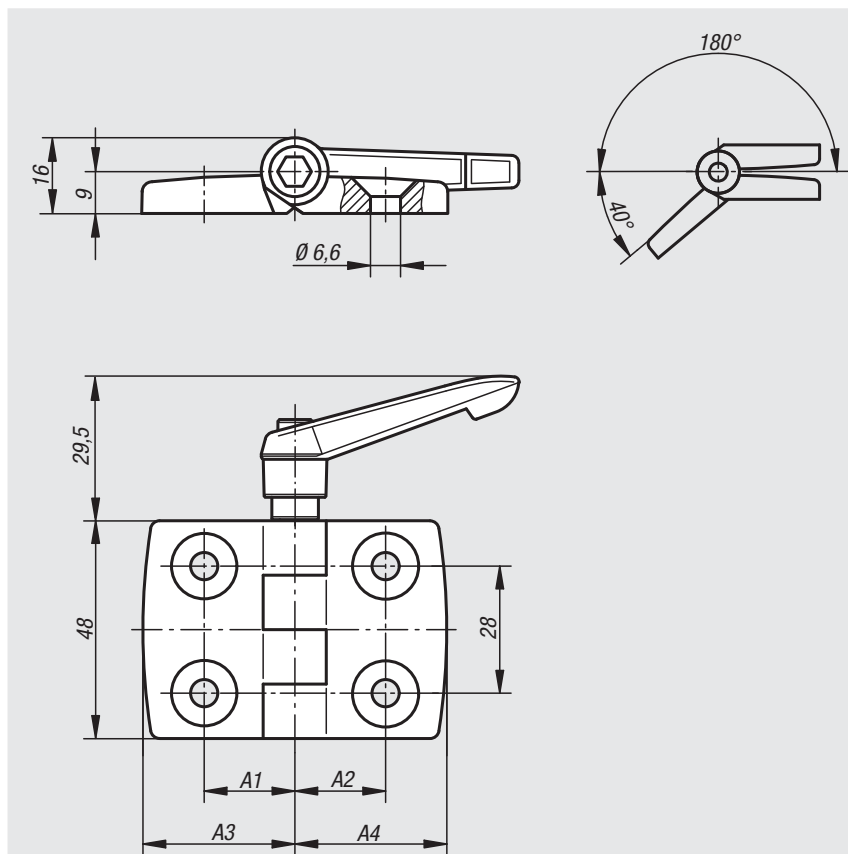
Note:

The hinges can be clamped in every position due to adjustable clamping lever.

On request:

Hinges with guide tabs (slot 6, 8 and 10) for aluminium profiles.

Combinations of different hinge wings.



Order No.	A1	A2	A3	A4	Load bearing capacity N
27853-251515	15	15	26	26	1200
27853-301818	17,5	17,5	29,5	29,5	1200
27853-352020	20	20	36	36	1200
27853-402323	22,5	22,5	38,5	38,5	1200
27853-452525	25	25	43,5	43,5	1200
27853-502828	27,5	27,5	48,5	48,5	1200
27853-603333	32,5	32,5	57,5	57,5	1200