

Hinges

in plastic with oblong holes

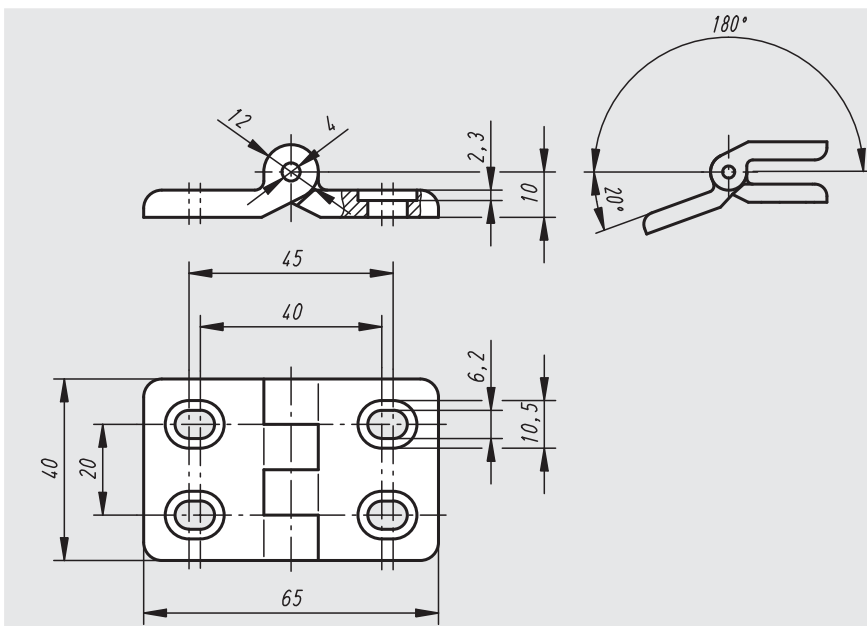


Material:
Glass-fibre reinforced thermoplastic;
axle in stainless steel

Surface finish:
Hinge black, axle natural finish

Sample order:
nlm 27854-402020

Note:
Horizontal adjustment of the hinges permits an optimal location.



Order No.	Load bearing capacity N	Approx. weight kg
27854-402020	700	0,008

Hinges

in plastic with guide tabs, detachable

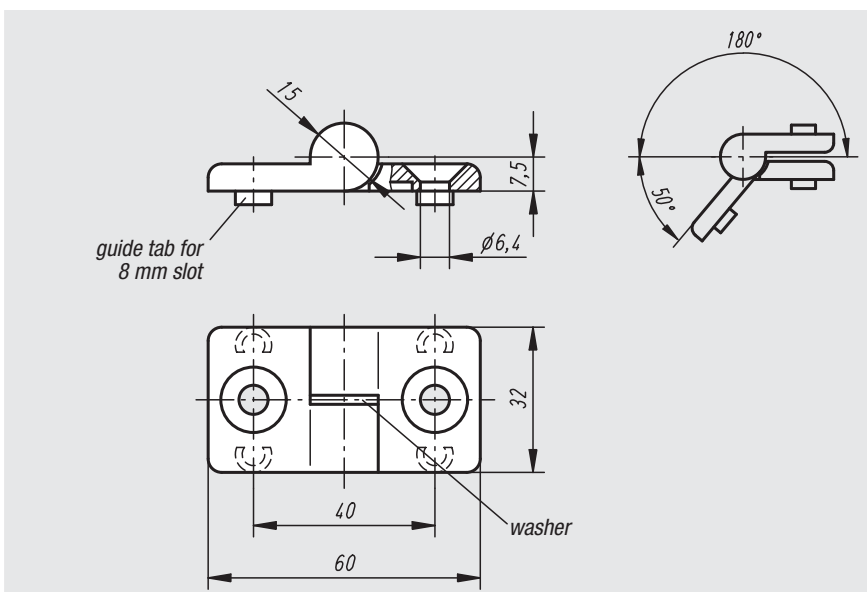


Material:
Glass-fibre reinforced thermoplastic;
axle in stainless steel;
washer in thermoplastic

Surface finish:
Hinge and washer black, axle natural finish

Sample order:
nlm 27856-1322020

Note:
The hinges can be fixed in a slot (8 mm) via the guide tabs.



Order No.	Surface finish	Load bearing capacity N	Approx. weight kg
27856-1322020	left hand	700	0,021
27856-2322020	right hand	700	0,021