

Hinges

in plastic with adjustable friction

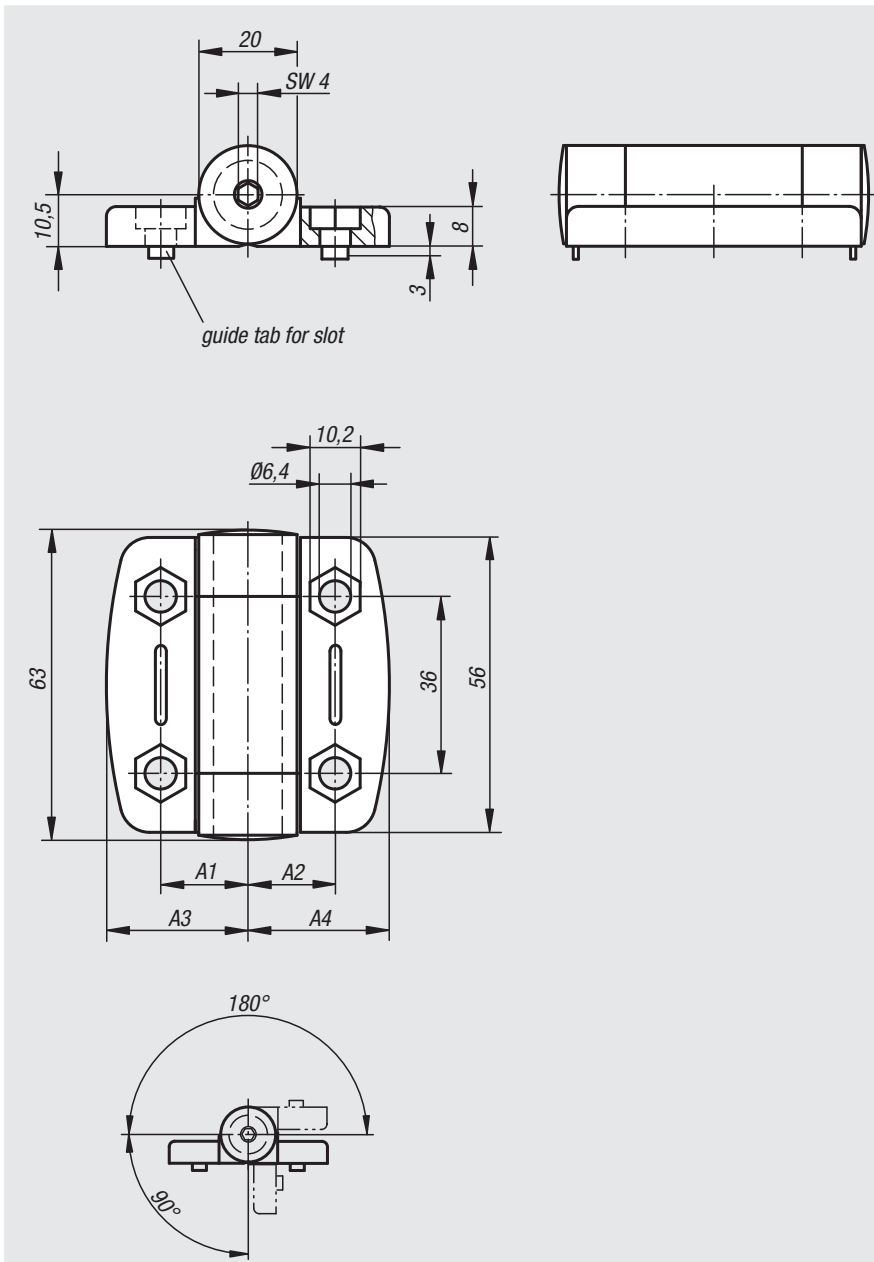


Material:
Hinge and coverings, glass-fibre reinforced thermoplastic PA;
steel parts in stainless steel

Surface finish:
Hinge and coverings black;
steel parts natural finish

Sample order:
nlm 27858-56181800

Note:
The friction hinges allow door positioning in any angular position desired. Friction resistance can be continuously adjusted by means of an adjusting screw of 0-5 Nm. The hinges are available with or without guide tabs for aluminium profiles.



Order No.	A1	A2	A3	A4	Guide tabs for slot	Load bearing capacity N	Approx. weight kg
27858-56181800	17,75	17,75	27	27	-	1200	0,052
27858-56181806	17,75	17,75	27	27	6	1200	0,052
27858-56181808	17,75	17,75	27	27	8	1200	0,052
27858-56232300	22,75	22,75	36,75	36,75	-	1200	0,064
27858-56232308	22,75	22,75	36,75	36,75	8	1200	0,064
27858-56232310	22,75	22,75	36,75	36,75	10	1200	0,064

24000
26000
27000
28000
29000
31000
32500
33000
95000
96000
97000
A-Z