

Hinges

in aluminium


Material:

Pressure-cast aluminium;
axle in stainless steel

Surface finish:

Hinge matt galvanized;
axle natural finish

Sample order:

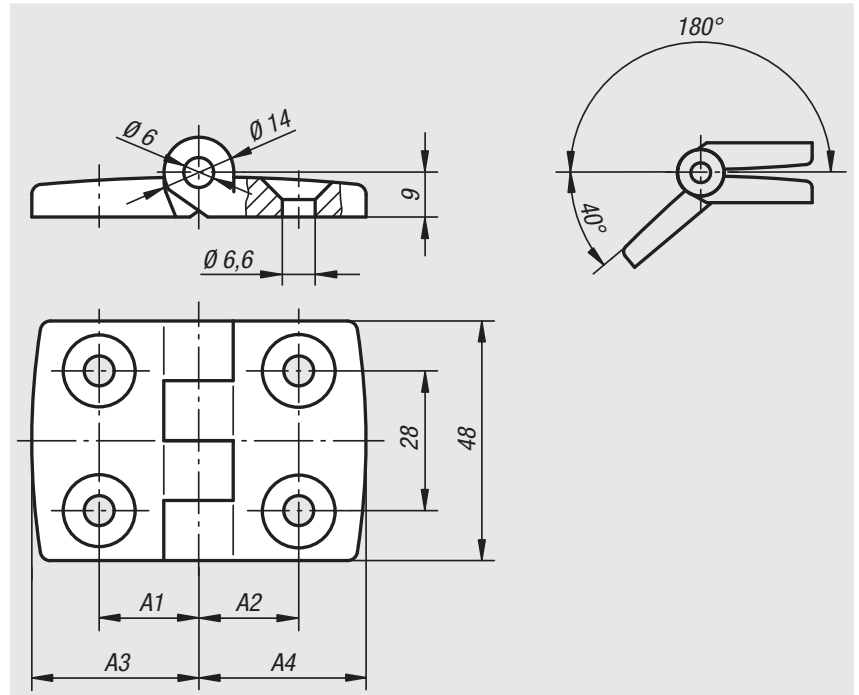
nIm 27872-251515

Note:

Hinges for surface elements and aluminium profiles, not detachable.

On request:

Hinges with guide tabs (slot 5, 6, 8, 10, 12 and 14) for aluminium profiles.
Combinations of different wing lengths.



Order No.	A1	A2	A3	A4	Load bearing capacity N	Approx. weight kg
27872-251515	15	15	26	26	2500	0,057
27872-301818	17,5	17,5	29,5	29,5	2500	0,065
27872-352020	20	20	36	36	2500	0,073
27872-402323	22,5	22,5	38,5	38,5	2500	0,069
27872-452525	25	25	43,5	43,5	2500	0,073
27872-502828	27,5	27,5	48,5	48,5	2500	0,079
27872-603333	32,5	32,5	57,5	57,5	2500	0,089