

Aluminium oil level sight glasses



Material, surface finish:

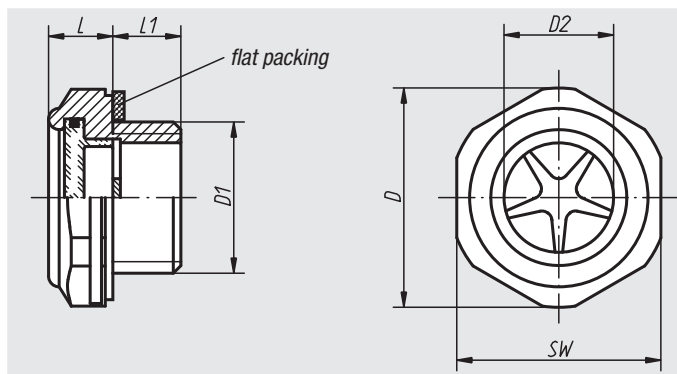
Housing in aluminium;
reflector in aluminium or white plastic;
sight glass in polyamide, transparent, temperature resistant with oil up to 100 °C, with water up to 70 °C;
flat packing asbestos-free

Sample order:

nlm 28010-29012

Note:

With versions G3/4 and G1 the reflector is made in white plastic.



Order No.	D	D1	D2	L	L1	SW	Tightening torque max. Nm	Pressure load max. bar	Approx. weight kg
28010-20014	20	G 1/4	11	8	7,5	18	9	10	0,004
28010-24038	24,5	G 3/8	12	8	9	22	12	10	0,008
28010-29012	29,5	G 1/2	15	8	9	27	18	10	0,013
28010-36034	34,5	G 3/4	19	10,7	10,9	32	24	10	0,022
28010-42100	42,5	G 1	27	10,5	11	40	-	10	0,033
28010-52114	55	G 1 1/4	34	14	12	50	-	10	0,056
28010-241815	24,5	M18x1,5	13	10	9	22	12	10	0,010
28010-292215	29,5	M22x1,5	16	11	9	27	18	10	0,015

Aluminium oil level sight glasses

with natural glass lens



Material, surface finish:

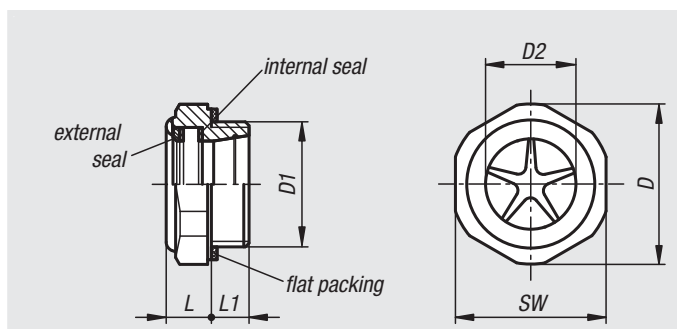
Housing in aluminium.
Reflector in aluminium.
Natural, clear glass viewing lens, temperature-resistant to 150 °C.
Flat packing asbestos-free Internal seal, Viton®.

Sample order:

nlm 28012-29012

Note:

Resists high pressure and heat. Natural glass as the viewing lens ensures optimal light transmission and high surface hardness.



Order No.	D	D1	D2	L	L1	SW	Tightening torque max. Nm	Pressure load max. bar	Approx. weight kg
28012-29012	29,5	G 1/2	12	10	9	27	18	20	0,017
28012-34034	34,5	G 3/4	16	12	10	32	24	20	0,027
28012-42100	42,5	G 1	23	12	10	40	-	20	0,044
28012-292015	29,5	M20x1,5	12	10	9	27	18	20	0,018
28012-423315	42,5	M33x1,5	23	12	10	40	-	20	0,044