

Screw-in protection plugs

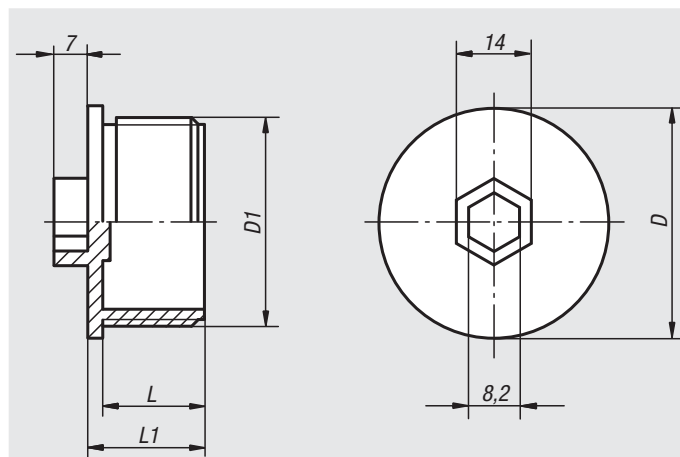


Material:
Elastomer, soft polyurethane

Surface finish:
Red

Sample order:
nlm 28018-038

Note:
The double-lip seal guarantees to withstand pressure of 2-3 bar. Furthermore, it keeps paint out during painting.



Order No.	D	D1	L	L1	Approx. weight kg
28018-018	16,2	G 1/8	8	10	0,001
28018-014	18,1	G 1/4	9,9	12,5	0,002
28018-038	21	G 3/8	9	11	0,002
28018-012	25,2	G 1/2	11	14	0,004
28018-034	31,3	G 3/4	11,5	14	0,006
28018-100	36	G 1	12	15,5	0,008

Screw-in plugs



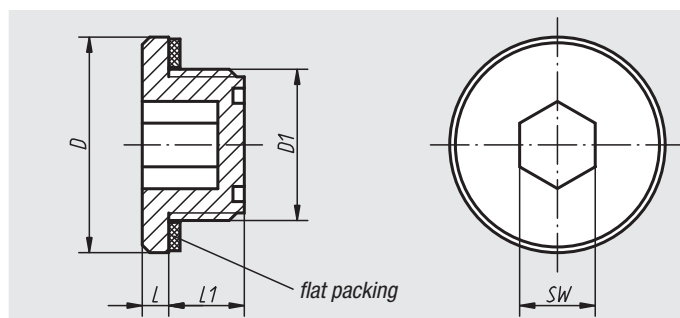
Material:
Thermoplastic polyamide 66

Surface finish:
Black, flat packing asbestos-free

Sample order:
nlm 28020-22038

Note:
Temperature resistant with oil up to 100 °C, with water up to 70 °C.

On request:
O-ring or materials with higher stability and temperature resistance (150 °C).



Order No.	D	D1	L	L1	SW	Tightening torque max. Nm	Approx. weight kg
28020-18014	18,2	G 1/4	2,5	8	6	3	0,002
28020-22038	22,5	G 3/8	3,5	10,5	8	6	0,004
28020-28012	28,5	G 1/2	3,5	10,5	10	8	0,006
28020-35034	35	G 3/4	4	10,5	12	10	0,010
28020-201415	20	M14x1,5	2,5	8	6	3	0,002
28020-221615	22,5	M16x1,5	3,5	11	8	6	0,004
28020-261815	26	M18x1,5	3	10	10	7	0,004
28020-282015	28,5	M20x1,5	3	11	10	7	0,006
28020-282215	28,5	M22x1,5	3,5	10,5	10	7	0,006
28020-352615	35	M26x1,5	3	12	12	10	0,010