

Press-in plugs



Material, surface finish:

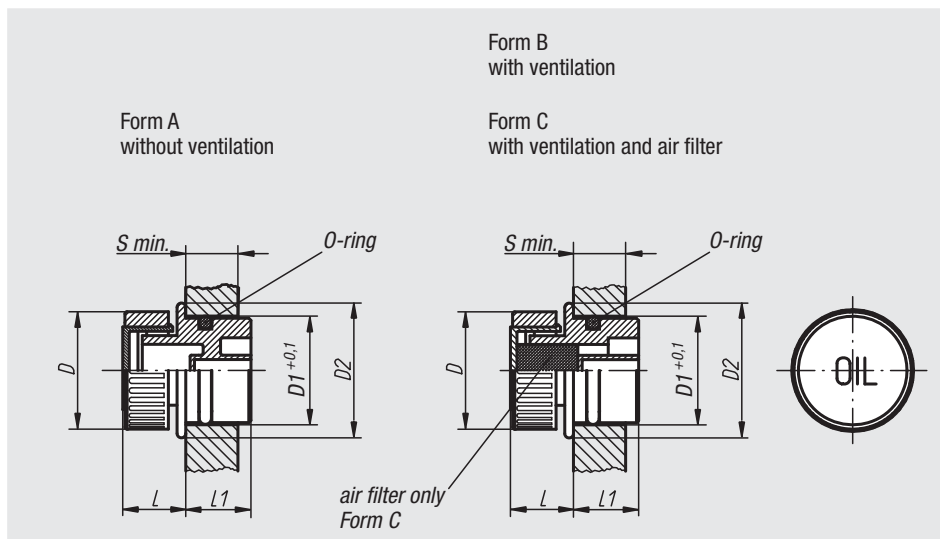
Housing in black thermoplastic polyamide 66;
 cap in red thermoplastic polyamide 66;
 air filter in polyurethane (PU foam), filter
 fineness 50 µm;
 O-ring in rubber (NBR)

Sample order:

nIm 28022-33030

Note:

Temperature resistant with oil up to 100 °C,
 with water up to 70 °C.



Order No. Form A	Order No. Form B	Order No. Form C	D	drill-Ø D1	D2	L	L1	S min.	Approx. weight kg
28022-13018	28022-23018	28022-33018	30	18	23	14	14	8	0,006
28022-13020	28022-23020	28022-33020	30	20	24	14	15,5	8	0,008
28022-13026	28022-23026	28022-33026	30	26	30	14	16,5	9,5	0,010
28022-13030	28022-23030	28022-33030	30	30	34	14	17	9,5	0,012

Notes

