

Plastic plugs

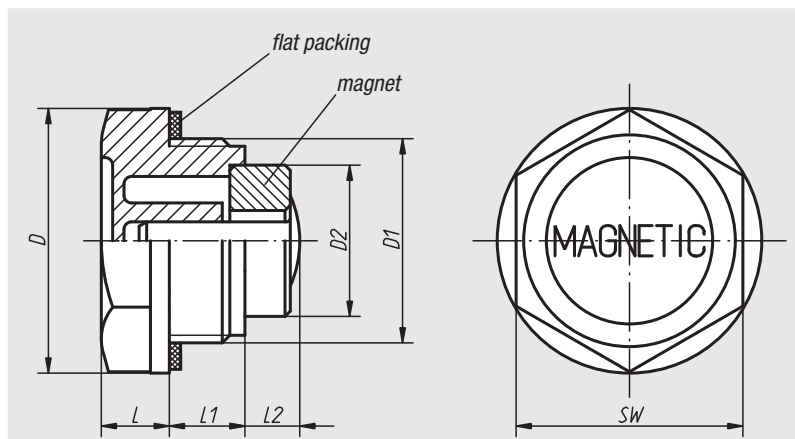


Material:
Thermoplastic polyamide 66, permanent magnet in ferrite

Surface finish:
Black, flat packing asbestos-free

Sample order:
nlm 28024-22038

Note:
Temperature resistant with oil up to 100 °C,
with water up to 70 °C.



Order No.	D	D1	D2	L	L1	L2	SW	Approx. weight kg
28024-20014	20	G 1/4	8	7	9	5	17	0,004
28024-22038	22	G 3/8	13	7,5	10	10	18	0,010
28024-27012	27	G 1/2	13	8	11	9	24	0,012
28024-34034	34	G 3/4	19,6	9	11	6,5	30	0,020
28024-42100	42	G 1	19,6	10,5	12	14	35	0,040
28024-201415	20	M14x1,5	8	7	9	5	17	0,004

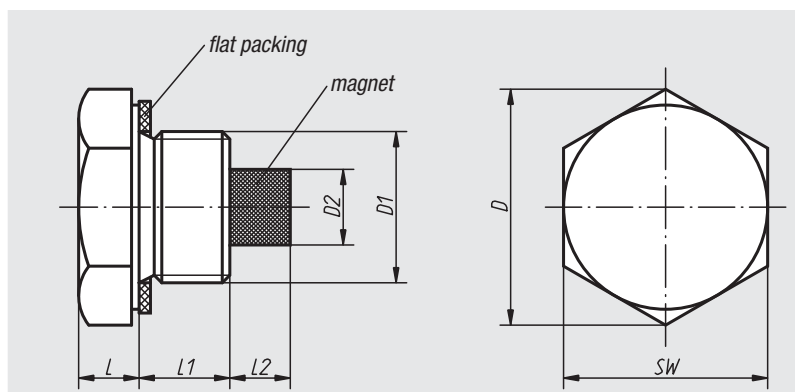
Aluminium plugs



Material:
Aluminium, permanent magnet in ferrite

Surface finish:
Natural finish, flat packing asbestos-free

Sample order:
nlm 28026-24038



Order No.	D	D1	D2	L	L1	L2	SW	Approx. weight kg
28026-21014	21	G 1/4	5	7	10	6	19	0,010
28026-24038	24,5	G 3/8	8	7	10	7	22	0,014
28026-30012	30	G 1/2	10	8	10	7	27	0,028
28026-36034	36,5	G 3/4	13	8	10	7	34	0,040
28026-42100	42,5	G 1	13	8	14	7	40	0,062