

## Caps for filler necks



**Material, surface finish:**

Housing in black thermoplastic polyamide 66;  
 cap in red thermoplastic polyamide 66;  
 air filter in polyurethane (PU foam), filter  
 fineness 50 µm;  
 flat packing in rubber (NBR)

**Sample order:**

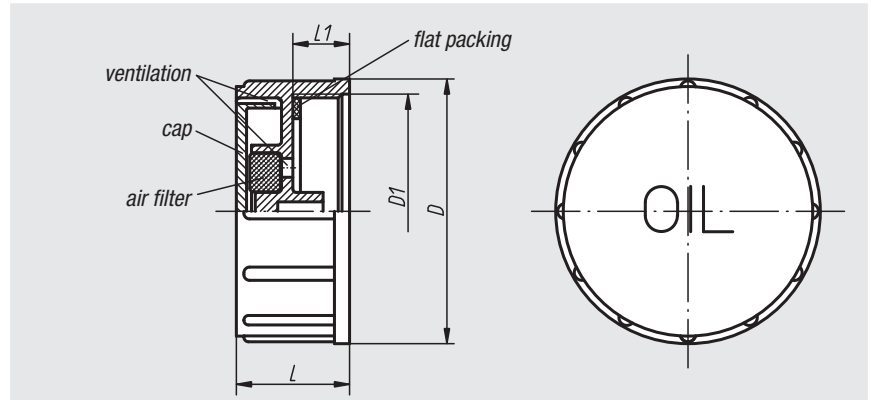
nIm 28032-67200

**Note:**

Temperature resistant with oil up to 100 °C,  
 with water up to 70 °C.

**On request:**

Cap in yellow for diesel oil.



Order No.	D	D1	L	L1	Approx. weight kg
28032-67200	67,5	G 2	30	15	0,048
28032-676020	67,5	M60x2	30	15	0,048

## Vent screws



**Material, surface finish:**

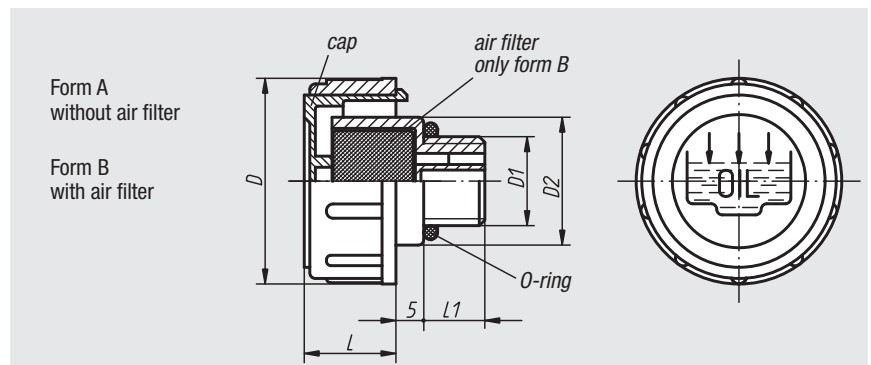
Housing in black thermoplastic polyamide 66;  
 cap in red thermoplastic polyamide 66;  
 air filter (only form B) in polyurethane (PU foam),  
 filter fineness 60 µm;  
 O-ring in rubber (NBR)

**Sample order:**

nIm 28034-147034

**Note:**

Temperature resistant with oil up to 100 °C,  
 with water up to 70 °C.  
 The removable cap allows easy cleaning of the  
 air filter.



Order No. Form A	Order No. Form B	D	D1	D2	L	L1	Approx. weight kg
28034-136038	28034-236038	36	G 3/8	23	17	11	0,012
28034-141012	28034-241012	41	G 1/2	28	18	12	0,018
28034-147034	28034-247034	47	G 3/4	33	17	12	0,024
28034-152100	28034-252100	52	G 1	38	20	12	0,036
28034-163114	28034-263114	63	G 1 1/4	49	23	13	0,056
28034-163112	28034-263112	63	G 1 1/2	55	23	13,5	0,060
28034-1361615	28034-2361615	36	M16x1,5	23	17	11	0,014
28034-1411815	28034-2411815	41	M18x1,5	28	17,5	12	0,016
28034-1412015	28034-2412015	41	M20x1,5	28	17,5	12	0,018
28034-1412215	28034-2412215	41	M22x1,5	28	17,5	12	0,018