

## Vent screws

with nonreturn valve



### Material, surface finish:

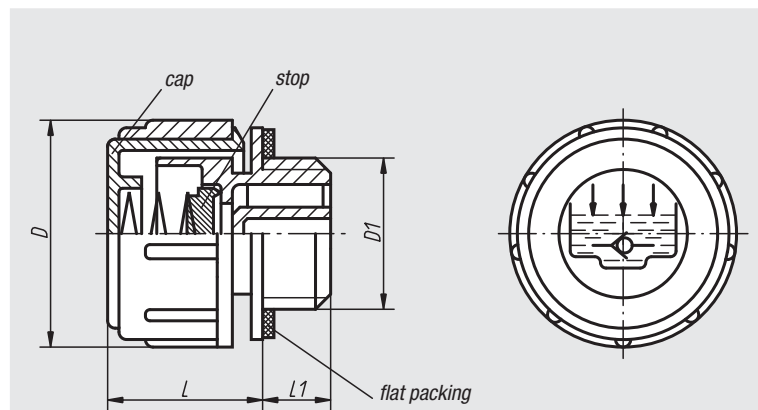
Housing in black thermoplastic polyamide 66;  
cap in red thermoplastic polyamide 66;  
compression spring in stainless steel;  
stop and flat packing in rubber (NBR)

### Sample order:

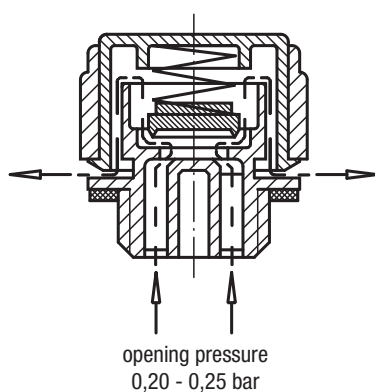
nlm 28038-30014

### Note:

Temperature resistant with oil up to 100 °C, with  
water up to 70 °C.  
Opening pressure 0.20 – 0.25 bar.



### function principle



Order No.	D	D1	L	L1	Approx. weight kg
28038-30014	30	G 1/4	21	10	0,010
28038-30038	30	G 3/8	21	10	0,012
28038-30012	30	G 1/2	21	10	0,012