

Brass vent screws

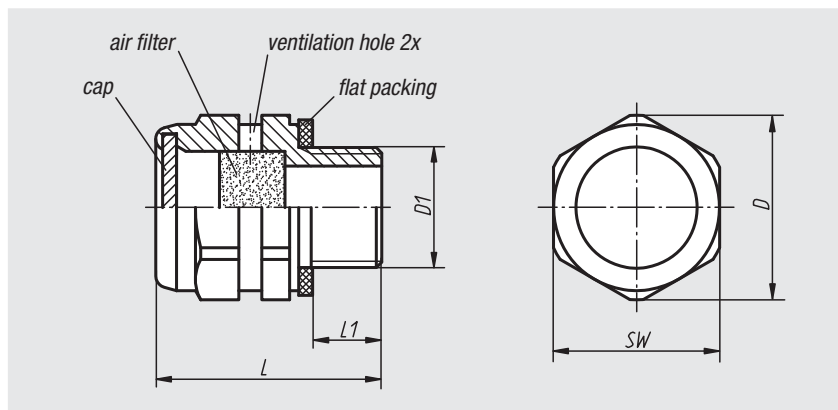


Material, surface finish:

Housing and cap in brass;
air filter in galvanized steel wire fabric,
filter fineness 50 - 60 µm;
flat packing asbestos-free

Sample order:

nIm 28040-20014



Order No.	D	D1	L	L1	SW	Approx. weight kg
28040-20014	20	G 1/4	24,5	7,5	18	0,022
28040-24038	24,5	G 3/8	24,5	8,5	22	0,046
28040-30012	30	G 1/2	24,5	8,5	27	0,072

Brass vent screws

with nonreturn valve



Material, surface finish:

Housing and cap in brass;
compression spring in stainless steel;
stop in aluminium;
O-ring in rubber (NBR);
flat packing asbestos-free

Sample order:

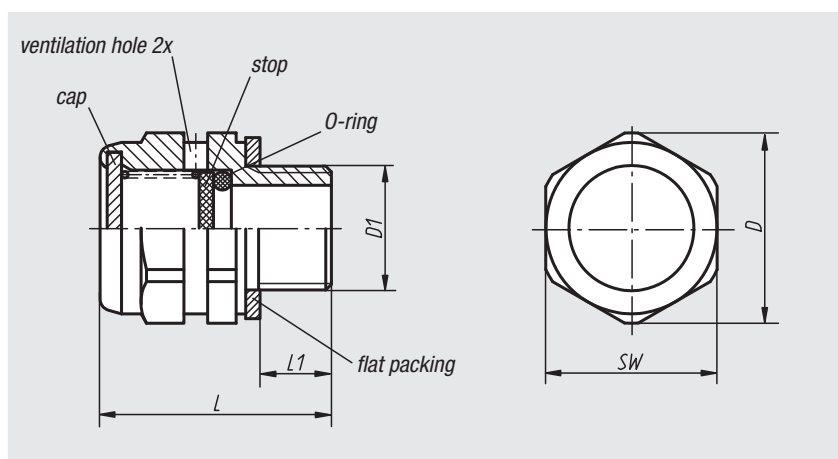
nIm 28042-20014

Note:

Opening pressure 0.3 bar (±0.1).

Functional principle:

See 28038 Vent Screws with nonreturn valve.



Order No.	D	D1	L	L1	SW	Approx. weight kg
28042-20014	20	G 1/4	24,3	7,5	18	0,022
28042-24038	24,5	G 3/8	24,5	8,5	22	0,044
28042-30012	30	G 1/2	24,5	8,5	27	0,070