

Filler neck



Material, surface finish:

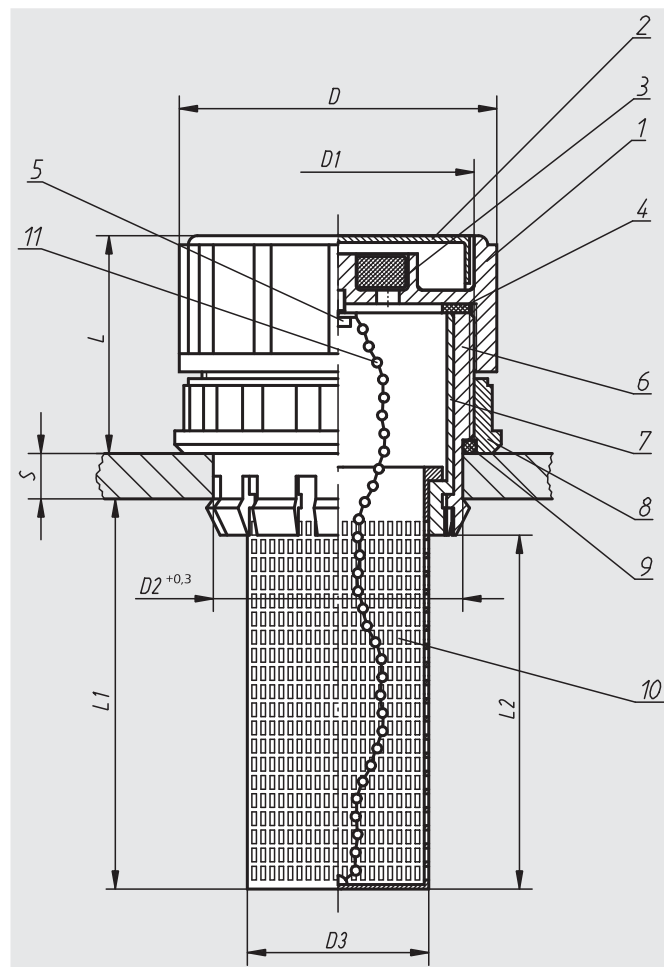
1. Closing housing in black thermoplastic polyamide 66
2. Closing lid in red thermoplastic polyamide 66
3. Air filter in polyurethane (PU foam), filter fineness 50 μm
4. Flat packing in rubber (NBR)
5. Fastening screw in nickel-plated steel
6. Press-in part in black thermoplastic polyamide 66
7. Stop sleeve in black thermoplastic polyamide 66
8. Fastening nut in black thermoplastic polyamide 66
9. O-ring in rubber (NBR)
10. Filler strainer in black thermoplastic polypropylene
11. Chain in nickel-plated brass

Sample order:

nIm 28070-706020

Note:

Temperature resistant up to 90 °C.



Order No.	D	D1	D2	D3	L	L1	L2	S	Approx. weight kg
28070-706020	70	M60x2	55	38	46,5	88	80	2 - 8	0,120