

Base clamp, plastic



Material, surface finish:

Black thermoplastic; socket head screw to DIN 7984 and hexagon nut to DIN 985 in galvanized steel

Sample order:

nIm 29012-30

Note:

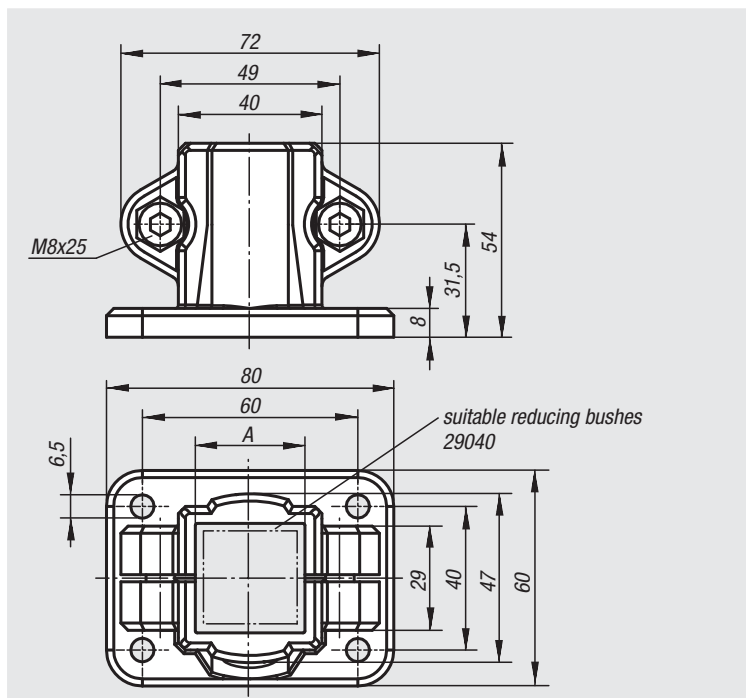
With the base clamp square tubes 30 mm can be clamped. If smaller tubes are to be clamped or converted from square to round tubes, these can be adjusted to the required fitting by means of reducing bushes 29040.

On request:

Clamp levers in plastic for fixing.

Accessory:

- Reducing bushes 29040
- Round and square tubes 29050



Order No.	A	Approx. weight kg
29012-30	30	0,121

Base clamps, aluminium



Material, surface finish:

Cast aluminium, vibration ground, clamping screw with nut in galvanized steel

Sample order:

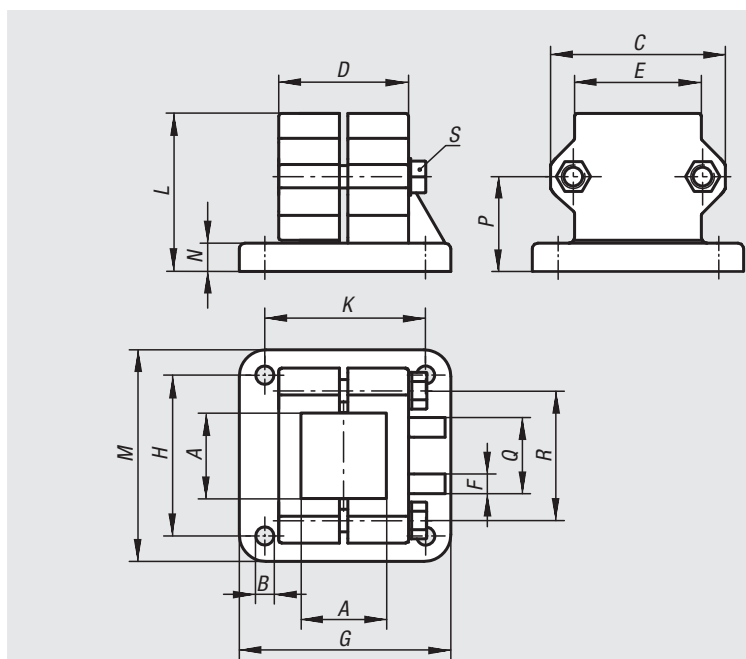
nIm 29012-5230

On request:

Clamp levers for fixing and further dimensions for square tubes.

Accessory:

- Round and square tubes 29050



Order No.	A	B	C	D	E	F	G	H	K	L	M	N	P	Q	R	S	Approx. weight kg
29012-5230	30,3	6,5	62	45	45	5	75	57	57	56	75	10	33,5	25	46	M8x45	0,278
29012-5240	40,4	8,5	75	60	60	5	100	76	76	71	100	10	43	25	57	M8x60	0,570