

Sleeve clamps, plastic



Material, surface finish:

Black thermoplastic; socket head screw to DIN 7984 and hexagon nut to DIN 985 in galvanized steel

Sample order:

nIm 29022-18

Note:

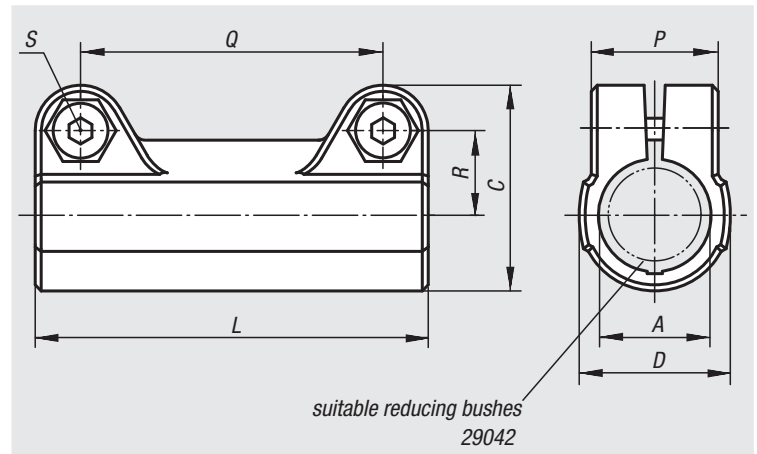
The basic size for round tubes is $\varnothing 18$ mm or $\varnothing 30$ mm. If smaller tubes are to be clamped or converted from round to square tubes, these can be adjusted to the required fitting by means of reducing bushes 29042.

On request:

Clamp levers in plastic for fixing.

Accessory:

- Reducing bushes 29042
- Round and square tubes 29050



Order No.	A	C	D	L	P	Q	R	S	Approx. weight kg
29022-18	18	34	25	65	21	50	14	M6x18	0,028
29022-30	30	52,5	40	95	28,5	73	22,8	M8x25	0,087