

Strap clamps

with internal tothing, plastic



Material, surface finish:

Black thermoplastic; socket head screw to DIN 7984 and hexagon nut to DIN 985 in galvanized steel

Sample order:

nln 29028-18

Note:

Strap clamps with internal tothing can be combined with strap clamps with external tothing (29026) to make a joint clamp.

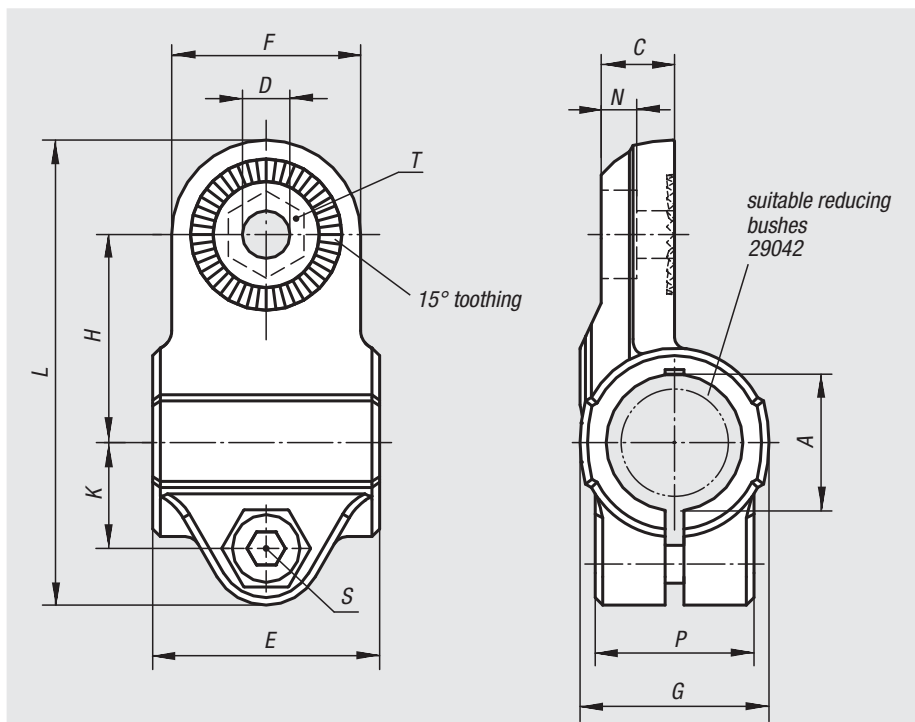
The basic size for round tubes is $\varnothing 18$ mm or $\varnothing 30$ mm. If smaller tubes are to be clamped or converted from round to square tubes, these can be adjusted to the required fitting by means of reducing bushes 29042.

On request:

Clamp levers in plastic for fixing.

Accessory:

- Reducing bushes 29042
- Round and square tubes 29050



Order No.	A	C	D	E	F	G	H	K	L	N	P	S	T	Approx. weight kg
29028-18	18	9,7	6,1	30	25	25	27,5	14	61,5	5,7	21	M6x18	M6-DIN 985	0,029
29028-30	30	16,5	8,1	45	40	40	43	22,5	95,5	6,5	28,5	M8x25	M8-DIN 985	0,091