

Strap clamps

with internal tothing, plastic



Material, surface finish:

Black thermoplastic; socket head screw to DIN 7984 and hexagon nut to DIN 985 in galvanized steel

Sample order:

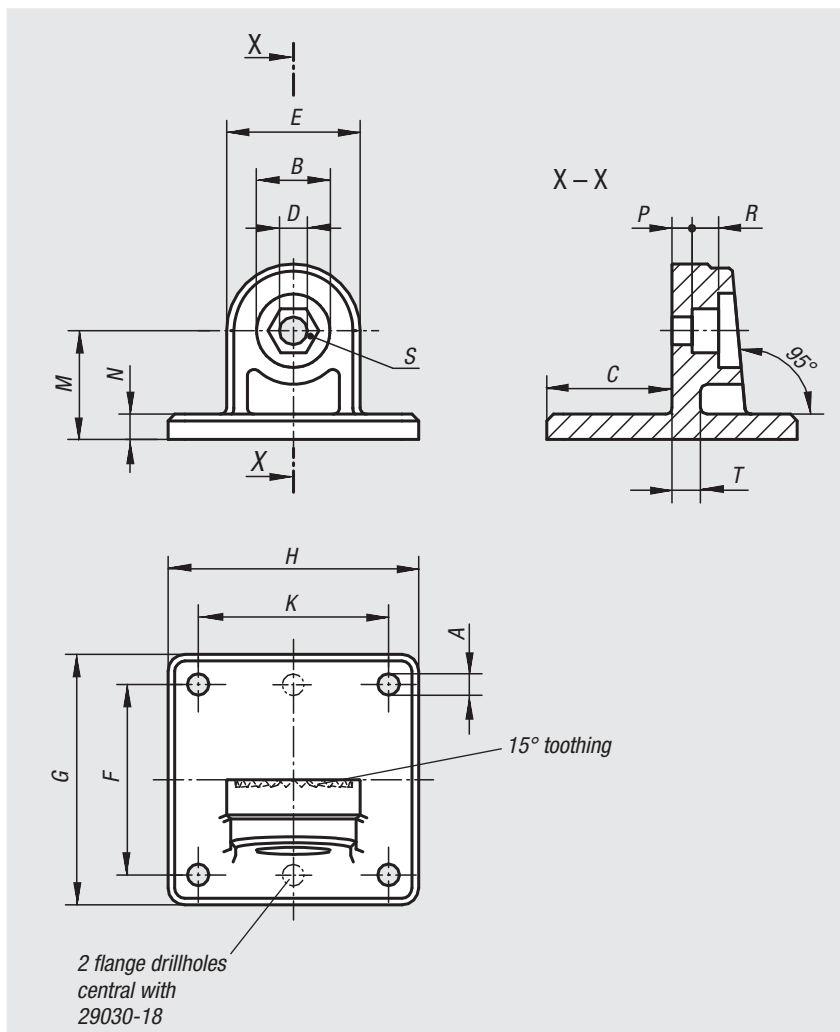
nIm 29030-18

Note:

Strap clamps with internal tothing can be combined with strap clamps with external tothing (29026) to make a joint clamp.

On request:

Clamp levers in plastic for fixing.



| Order No. | A | B | C | D | E | F | G | H | K | M | N | P | R | S | T | Approx. weight kg |
|-----------|----------|----|------|-----|----|----|----|----|----|------|-----|-----|-----|------------|---|-------------------|
| 29030-18 | 5,3 (2x) | 15 | 25 | 6,1 | 25 | 40 | 50 | 35 | - | 20 | 5 | 4,5 | 5,5 | M6-DIN 985 | 5 | 0,017 |
| 29030-30 | 6,5 (4x) | 22 | 37,5 | 8,1 | 40 | 60 | 75 | 75 | 60 | 32,5 | 7,5 | 6,6 | 8,2 | M8-DIN 985 | 7 | 0,077 |