

# Joint clamps

without toothing, plastic



**Material, surface finish:**

Black thermoplastic; socket head screw to DIN 7984 and hexagon nut to DIN 985 in galvanized steel

**Sample order:**

nln 29032-18

**Note:**

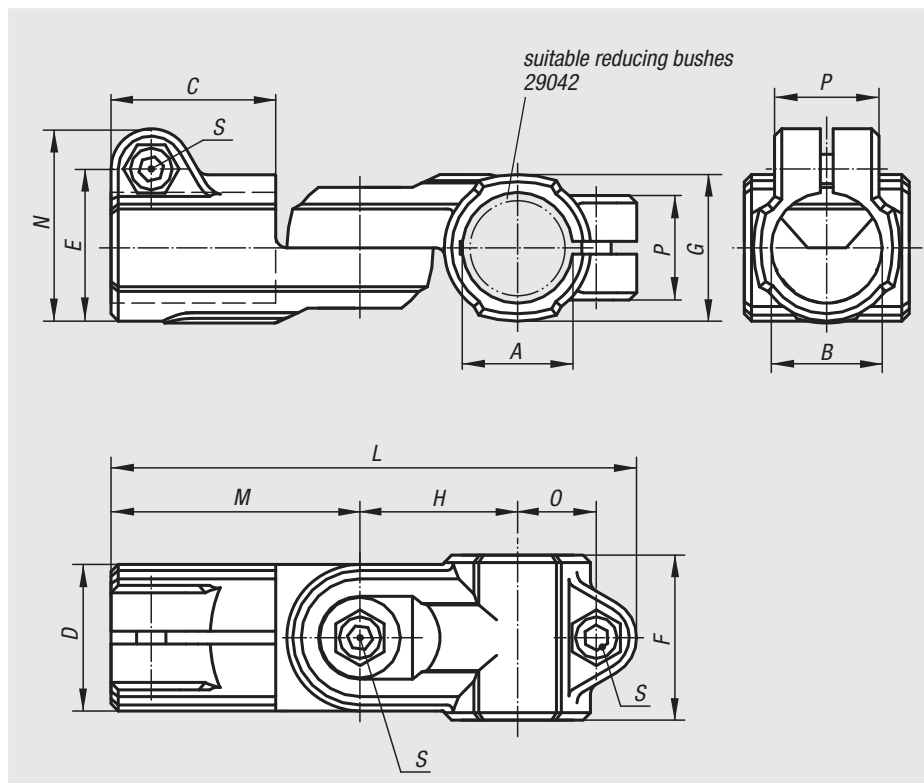
Joint clamps can be continuously displaced by 180°. The basic size for round tubes is Ø18 mm or Ø30 mm. If smaller tubes are to be clamped or converted from round to square tubes, these can be adjusted to the required fitting by means of reducing bushes 29042.

**On request:**

Clamp levers in plastic for fixing.

**Accessory:**

- Reducing bushes 29042
- Round and square tubes 29050



Order No.	A	B	C	D	E	F	G	H	L	M	N	O	P	S	Approx. weight kg
29032-18	18	18	30	25	26,5	30	25	27,5	94	45	34	14	21	M6x18	0,067
29032-30	30	30	45	40	41,5	45	40	43	143,5	68	52,5	22,5	28,5	M8x25	0,160