

## Columns stainless steel



**Material:**  
Stainless steel 1.4305

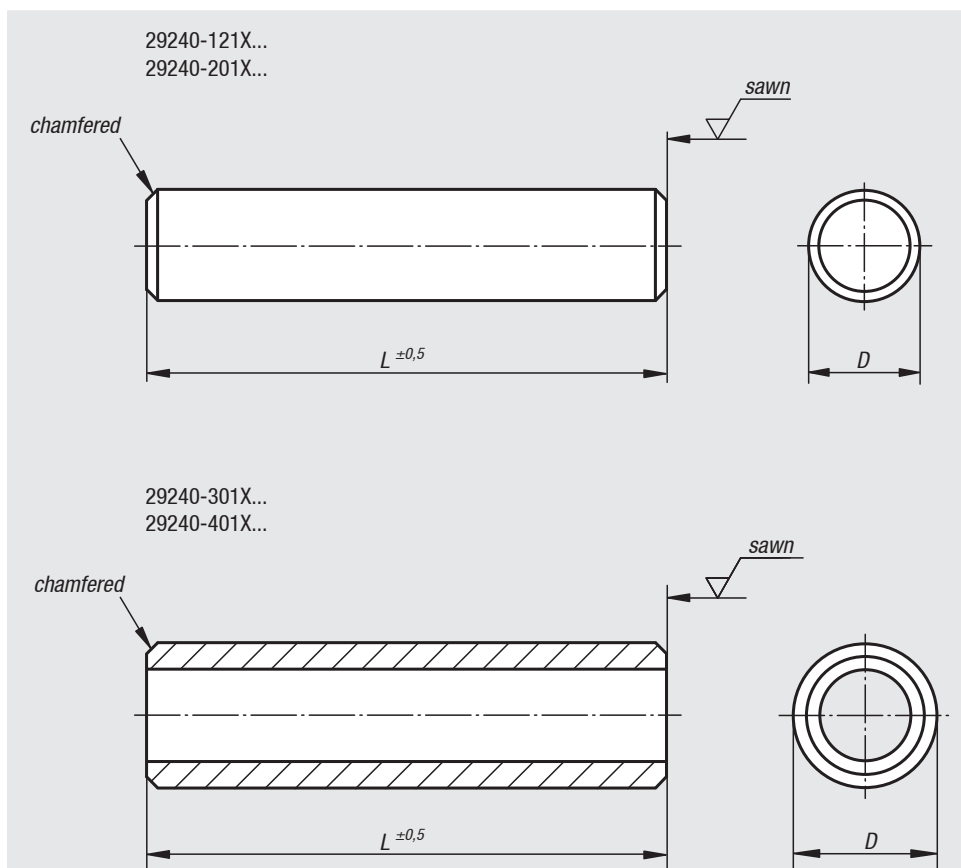
**Surface finish:**  
Natural finish, ground

**Sample order:**  
nlm 29240-121X0100 (please also indicate dimension L)

**Note:**  
With the ground stainless steel columns, versatile configuration variants can be configured with few standard components.

Ø12 und Ø20 = solid column.  
Ø30 und Ø40 = tubular column (wall thickness 5 mm).

**On request:**  
Other lengths.



Order No.	Size	D	L	Approx. weight kg/m
29240-121X	12	12	100/200/300/400/500	0,887
29240-201X	20	20	100/200/300/400/500	2,460
29240-301X	30	30	100/200/300/400/500	3,080
29240-401X	40	40	100/200/300/400/500	4,320