

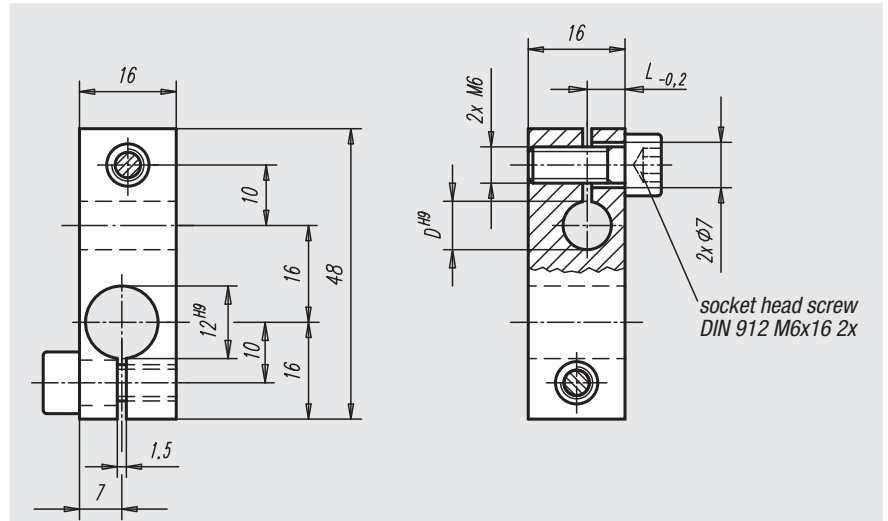
Joint components



Material:
Tempered steel

Surface finish:
Black oxide finish

Sample order:
nlm 31154-1210



Order No.	D	L	Approx. weight kg
31154-1208	8	5	0,075
31154-1210	10	6	0,070
31154-1212	12	7	0,065

Clamping joints

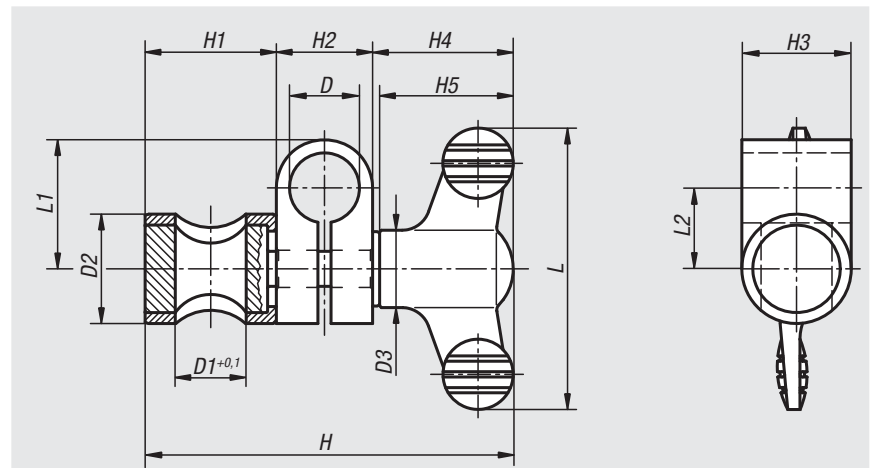


Material, surface finish:
Bushings and bolt in steel, high-polish chromium-plated.
Clamping piece in high-strength aluminium, black anodized.
Wing grip handle in anthracite grey thermoplastic.

Sample order:
nlm 31156-1616

Note:
Continuously adjustable. Rapid clamping with wing grip.

On request:
Different combinations of diameters D and D1.



Order No.	Size	D	D1	D2	D3	H	H1	H2	H3	H4	H5	L	L1	L2	Approx. weight kg
31156-0606	1	6	6	14	12	43,6	15	9	14	19,6	18	38	13	8,5	0,025
31156-0808	2	8	8	16	14	54,6	17	12	16	25,6	24	50	18	12	0,039
31156-1010	3	10	10	18	14	60,6	20	15	18	25,6	24	50	22	14,5	0,055
31156-1212	4	12	12	20	21	77,2	23	17	20	37,2	35,6	75	24	15,5	0,091
31156-1616	5	16	16	25	21	90,2	31	22	25	37,2	35,6	75	29,5	18,5	0,144
31156-2020	6	20	20	30	21	98,2	36	25	30	37,2	35,6	75	30	17,5	0,209