

# Digital dial gauges

**Material, surface finish:**

Housing in aluminium;  
measuring spindle in stainless steel,  
hardened and ground

**Sample order:**

nIm 32542-04

**Note:**

pivotable display 270°  
standardised clamping shaft  $\varnothing$  8h6  
exchangeable stylus tip  
thread M2.5  
protection class IP52

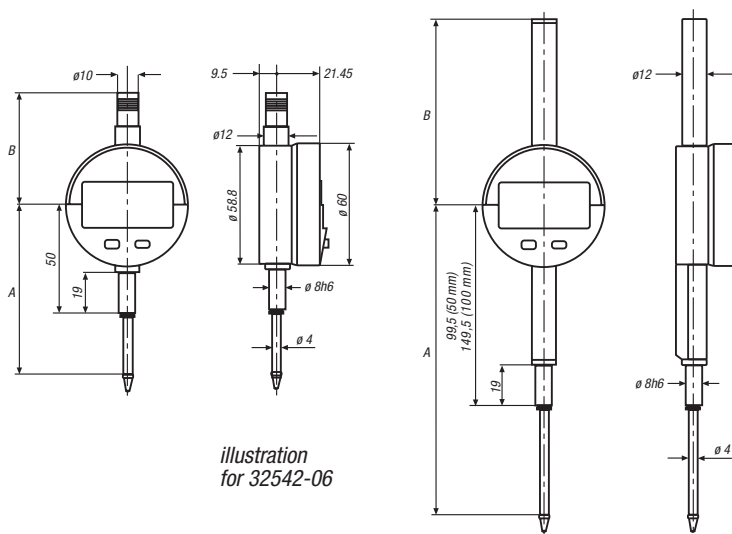
**Function:**

– reversible measure mm/inch  
– PRESET

Disconnectible electronic;  
LCD display 6-place;  
extra high figures;  
height of figures 8,5 mm;  
max. transverse speed 1,5 m/s;  
interface Opto RS232C;  
battery service life approx. 2000 hours;  
battery (type CR2032) included.

**Accessory:**

Spare battery, type CR2032  
Order No. 32510-20.



Order No.	Surface finish	Surface finish	Measuring clamp mm	Resolution mm	precision mm	Reproducibility in $\mu$ m	Measuring pressure in N	Structural dimensions A / B
32542-01	dial gauge	PRESET	25	0,001	0,005	2 ( $\pm$ 2s)	0,6 - 1,10	78,4 / 53,4
32542-02	dial gauge	PRESET	25	0,01	0,010	2 ( $\pm$ 2s)	0,6 - 1,10	78,4 / 53,4
32542-03	dial gauge	PRESET	12,5	0,001	0,005	2 ( $\pm$ 2s)	0,7 - 0,95	65,9 / 53,4
32542-04	dial gauge	PRESET	12,5	0,01	0,010	2 ( $\pm$ 2s)	0,7 - 0,95	65,9 / 53,4
32542-06	dial gauge	PRESET	50	0,01	0,020	2 ( $\pm$ 2s)	2,0 - 3,00	150,5 / 90,5
32542-012	dial gauge with calibration certificate	PRESET	25	0,001	0,005	2 ( $\pm$ 2s)	0,6 - 1,10	78,4 / 53,4
32542-022	dial gauge with calibration certificate	PRESET	25	0,01	0,010	2 ( $\pm$ 2s)	0,6 - 1,10	78,4 / 53,4
32542-032	dial gauge with calibration certificate	PRESET	12,5	0,001	0,005	2 ( $\pm$ 2s)	0,7 - 0,95	65,9 / 53,4
32542-042	dial gauge with calibration certificate	PRESET	12,5	0,01	0,010	2 ( $\pm$ 2s)	0,7 - 0,95	65,9 / 53,4
32542-062	dial gauge with calibration certificate	PRESET	50	0,01	0,020	2 ( $\pm$ 2s)	2,0 - 3,00	150,5 / 90,5