

Screw connection for dial gauges

with clamping shaft $\varnothing 8$



Material:

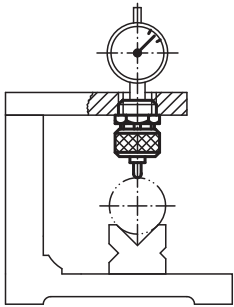
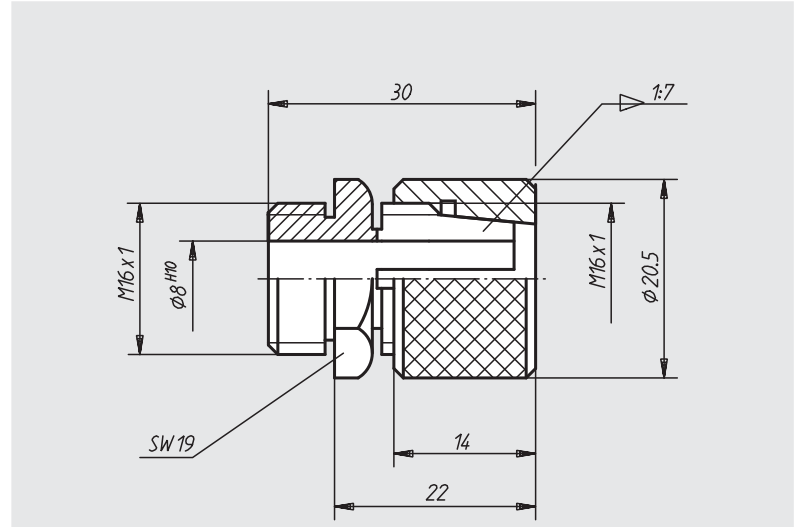
Tempered steel

Surface finish:

Black oxide finish,
collet chuck heat-treated

Sample order:

nIm 33000-08



Order No.

33000-08

Approx.
weight
kg

0,042

Notes

