

Sliding holders for dial gauges

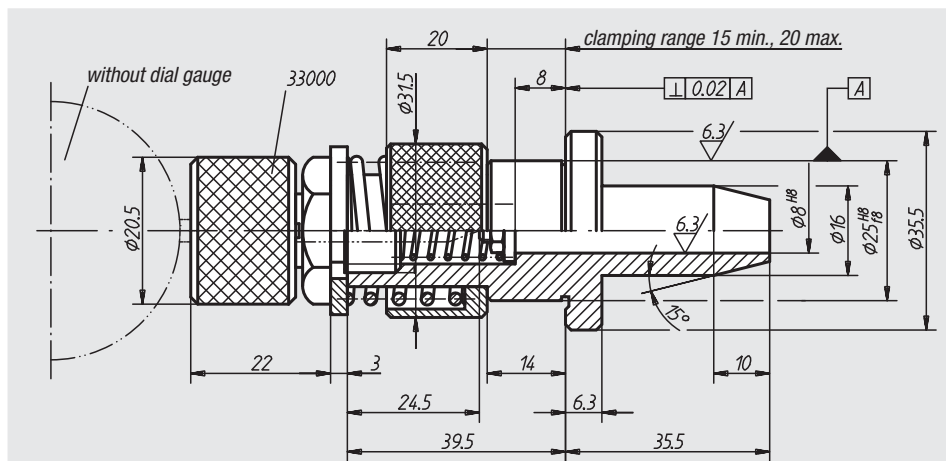


Material:
Tempered steel

Surface finish:
Black oxide finish, collet chuck and body heat-treated

Sample order:
nlm 33010-08025

Note:
Dial gauge and probe are not included.
Dial gauges see 32540 and 32542.
Probes see 33020 up to 33026.



Order No.	Supplied for the tracer pin	Approx. weight kg
33010-08025	1 washer 5,3 x 14 x 1 1 hexagon nut M5 1 compression spring	0,240

Holder of dial gauges

short version with thread

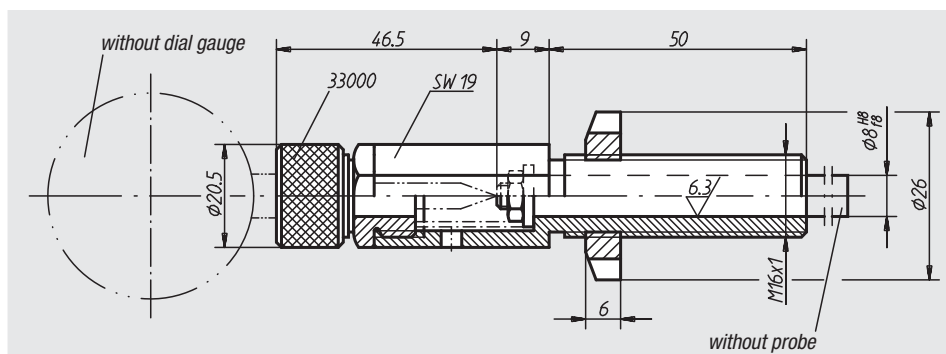


Material:
Tempered steel

Surface finish:
Black oxide finish, collet chuck and body heat-treated

Sample order:
nlm 33012-08050

Note:
Dial gauge and probe are not included.
Dial gauges see 32540 and 32542.
Probes see 33020 up to 33026.



Order No.	Supplied for the tracer pin	Approx. weight kg
33012-08050	1 washer 5,3 x 14 x 1 1 hexagon nut M5 1 compression spring	0,140