

Holders of dial gauges

long version with thread

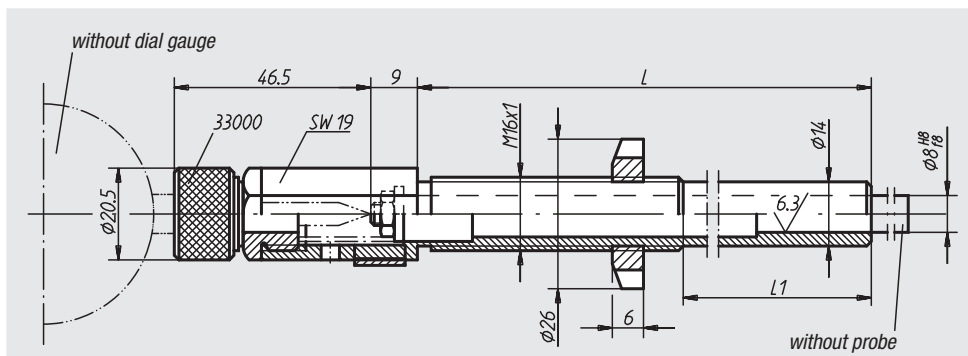


Material:
Tempered steel

Surface finish:
Black oxide finish, collet chuck and body heat-treated

Sample order:
nlm 33014-08125

Note:
Dial gauges and probes are not included.
Dial gauges see 32540 and 32542.
Probes see 33020 up to 33026.



Order No.	L	L1	Supplied for the tracer pin	Approx. weight kg
33014-08125	125	75	1 washer 5,3 x 14 x 1 1 hexagon nut M5 1 compression spring	0,175
33014-08180	180	130	1 washer 5,3 x 14 x 1 1 hexagon nut M5 1 compression spring	0,185

Holder for dial gauges

short version with smooth shaft

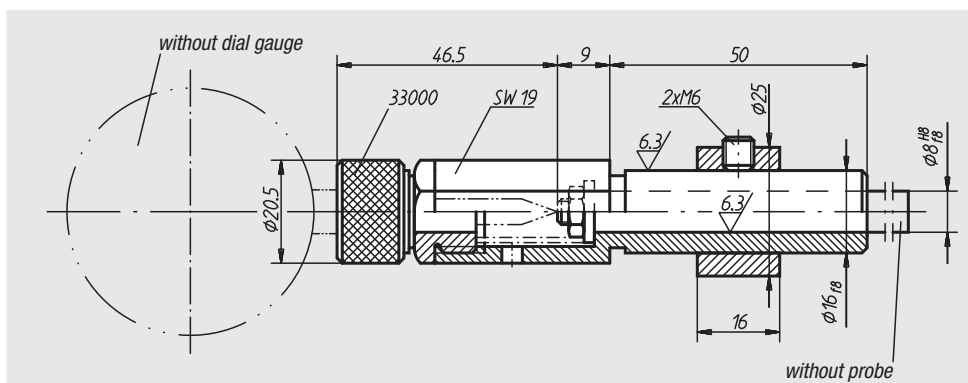


Material:
Tempered steel

Surface finish:
Black oxide finish, collet chuck and body heat-treated

Sample order:
nlm 33016-08050

Note:
Dial gauge and probe are not included.
Dial gauges see 32540 and 32542.
Probes see 33020 up to 33026.



Order No.	Supplied for the tracer pin	Approx. weight kg
33016-08050	1 washer 5,3 x 14 x 1 1 hexagon nut M5 1 compression spring	0,170