

Holder for dial gauges

for measuring yoke

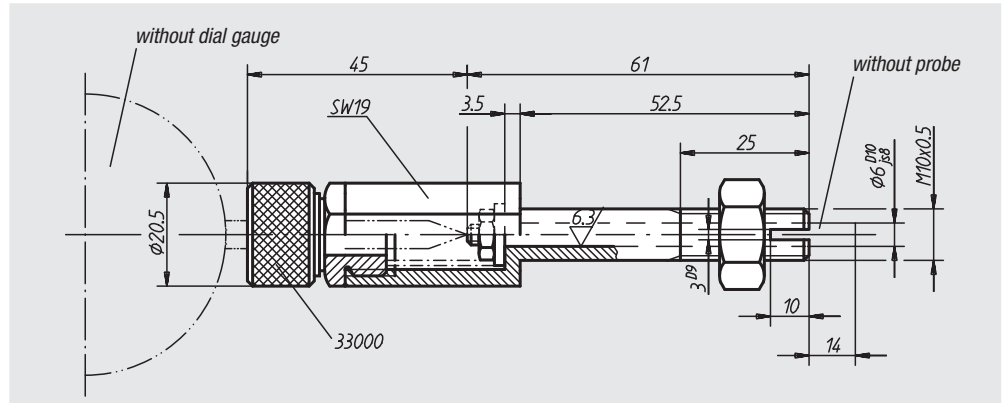


Material:
Tempered steel

Surface finish:
Black oxide finish, collet chuck and body heat-treated

Sample order:
nlm 33018-06053

Note:
Dial gauges and probes are not included.
Dial gauges see 32540 and 32542.
Probes see 33028 up to 33032.



Order No.	Supplied for the tracer pin	Approx. weight kg
33018-06053	1 washer 4,3 x 14 x 0,9 1 hexagon nut M4 1 compression spring	0,095

Application: holder of dial gauges

